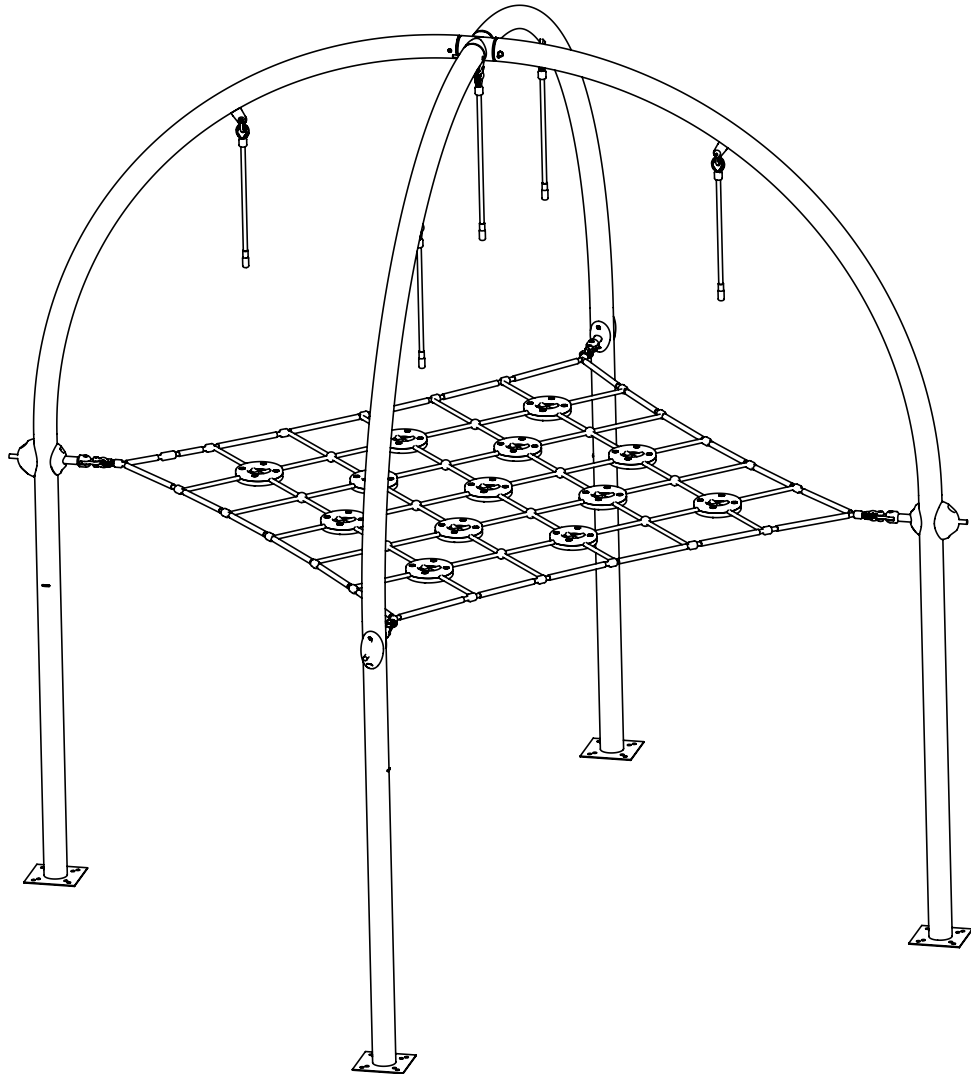


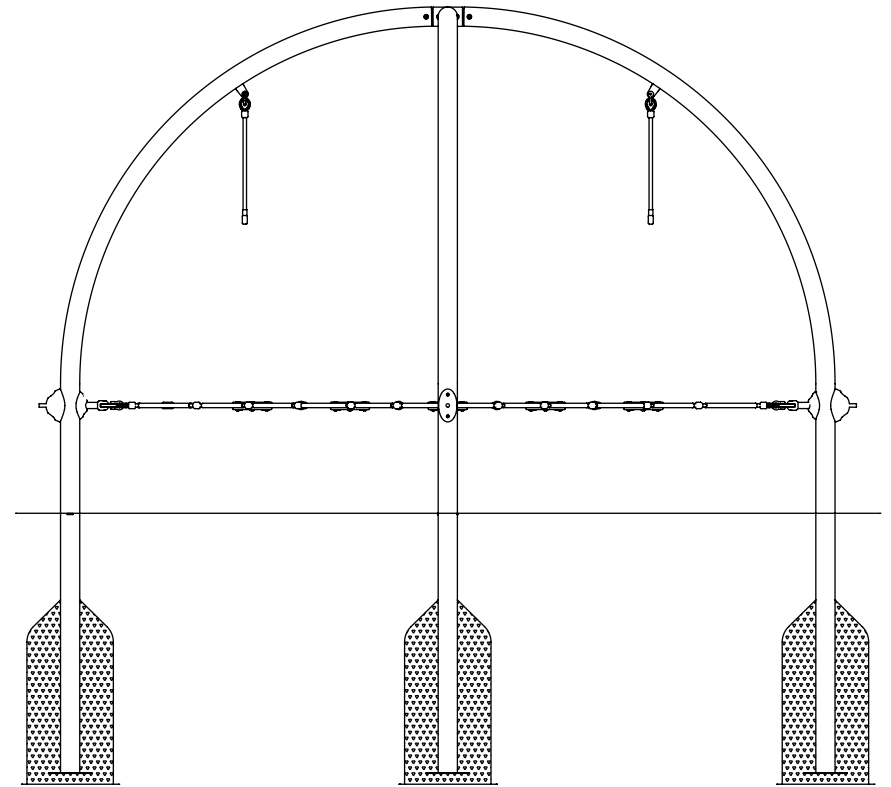
HAGS[®]


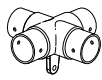


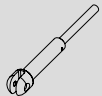

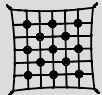
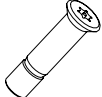




NRG Malham Cove




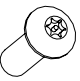

MA78601033


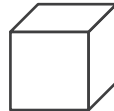


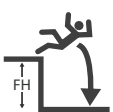

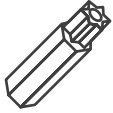




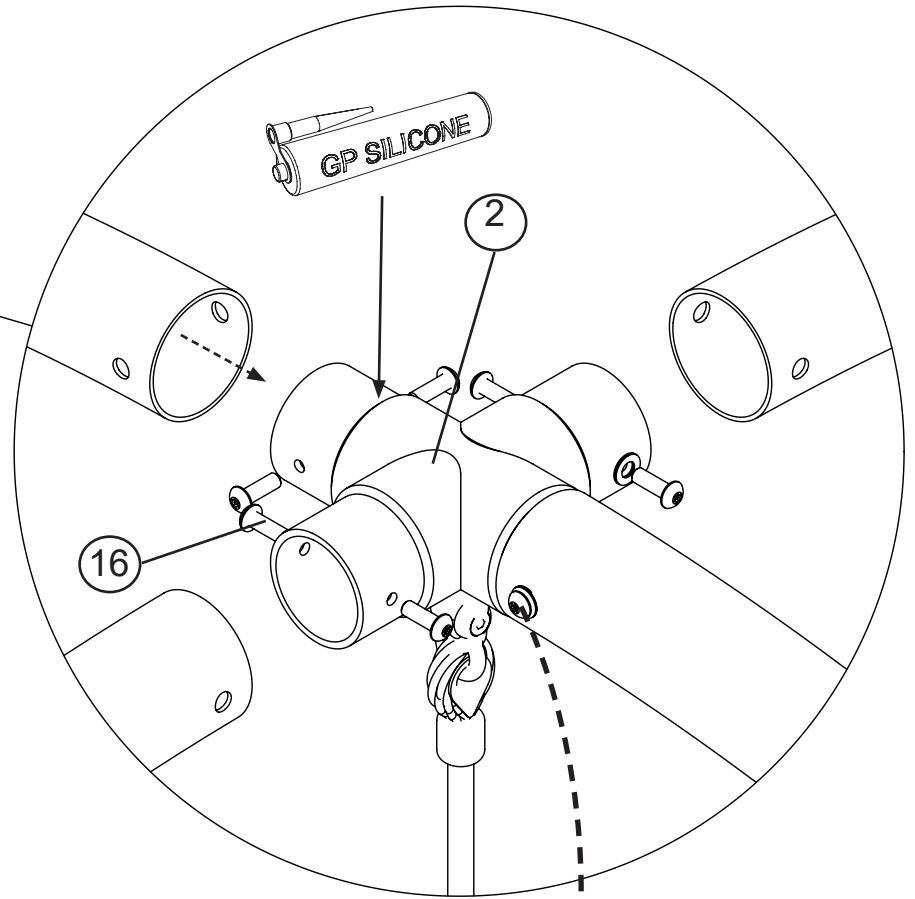
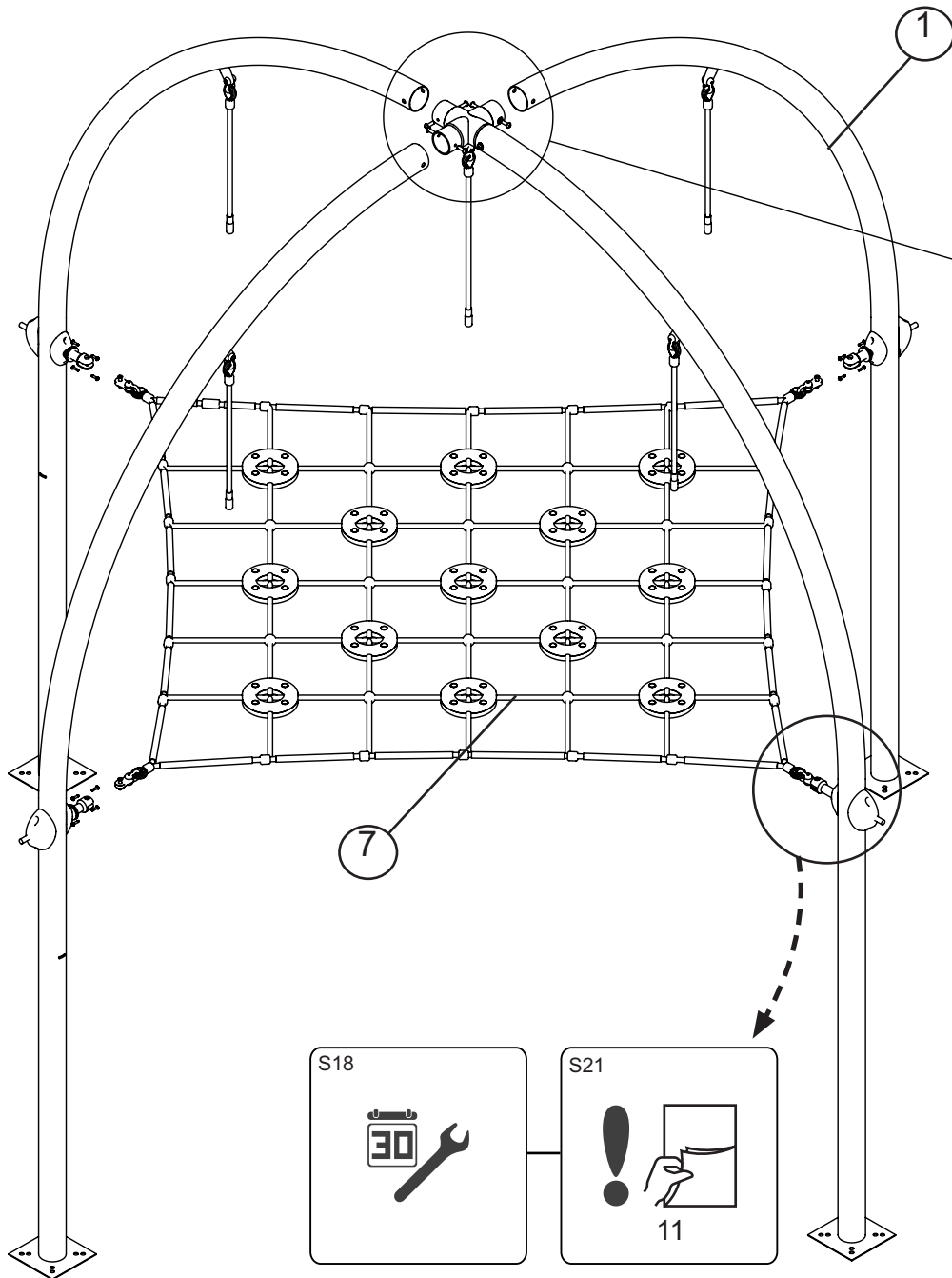
CC/BM



1	78603023		4x 3962 x 1034 x 200mm	30kg
2	78603044		1x 233 x 233 x 150mm	7kg
3	78605022		1x 715 x 40 x 40mm (Ø16)	0.4kg
4	78704016		4x 126 x 79 x 64mm	0.13kg
5	78701005		4x M 16_Ø45 x 321mm	1.23kg
6	78704018		4x 152 x 85 x 78mm	0.20kg
7	78605010		1x 2279 x 2279 x 46mm (Ø16)	22kg
8	78704015		4x M10 x 40_A2_TX-45	0.03kg
9	10290600		16x M6_C_Ø6.4 x Ø12.6 x 1_A2	0.001kg
10	8027762		16x M6x25-8.8-(ISO7380)	0.006kg
11	10391600		8x M6x25-8.8-(ISO7380)	0.05kg
12	78704013		4x M16_Ø17 x 50 x 2_PTFE	0.008kg

13	10271600		8x 30 M16_8.8	0.03kg
14	10291000		12x M10_B_Ø11 x Ø21 x 1_A2	0.002kg
15	78605012		4x 615 x 40 x 40mm (Ø16)	0.37kg
16	10121030		8x M10 x 30_A2_TX45	0.03kg
17	78801031		1x	0.1kg

<p>S12</p>  <p>kg</p> <p>155kg</p>	<p>S15</p>  <p>L x W x H (m)</p> <p>3.6x3.6x2.4</p>	<p>S13</p>  <p>m³</p> <p>0.7</p>	<p>S14</p>  <p>m²</p> <p>10 x 10</p>
<p>S6</p>  <p>EN1176</p> <p>0.6m</p>	<p>S20</p>  <p>2 x 8</p>	<p>S24</p>  <p>10121000-TX45</p>	
<p>S18</p> 	<p>S21</p>  <p>11</p>		



S18

S21

11

S11

Nm

20-25 Nm

S24

10121030-TX45

M10

S22

S13

m³
0.7

S25

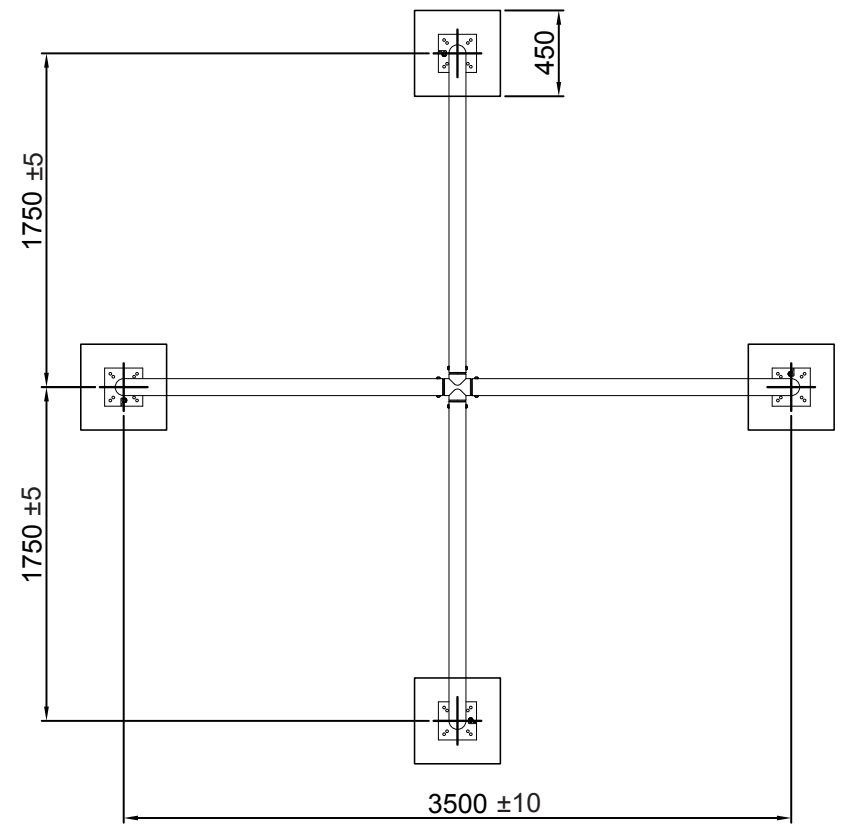
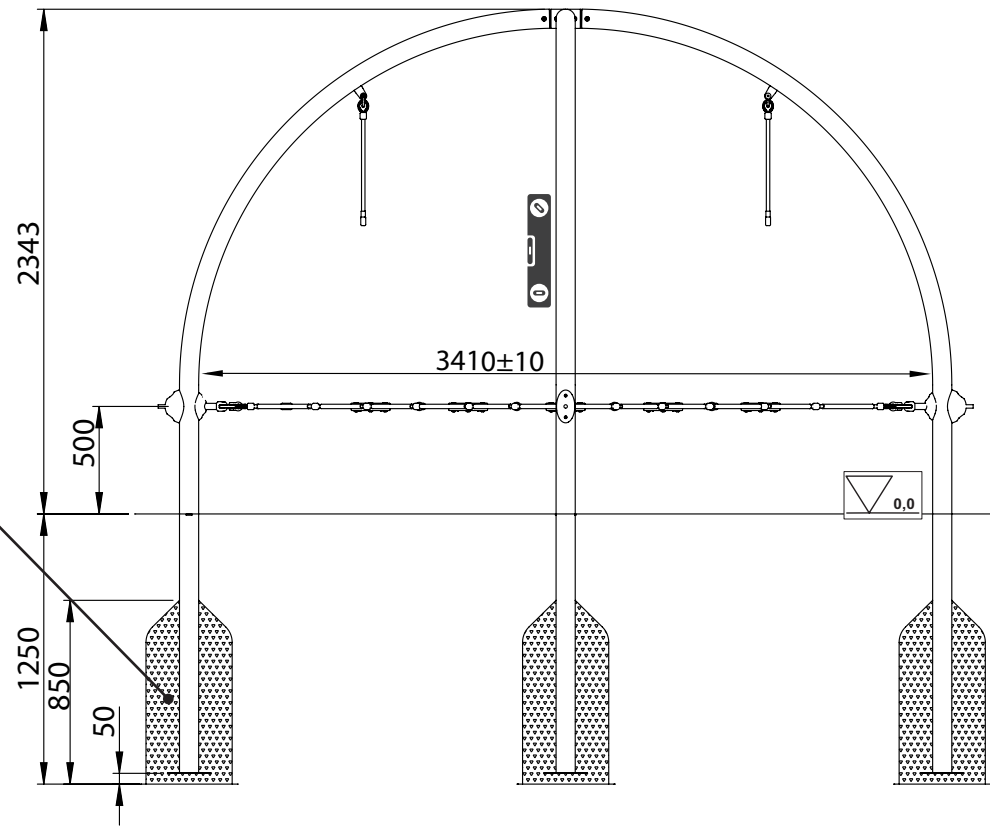
S2 (50mm)
≥C20-25

7 x 24h

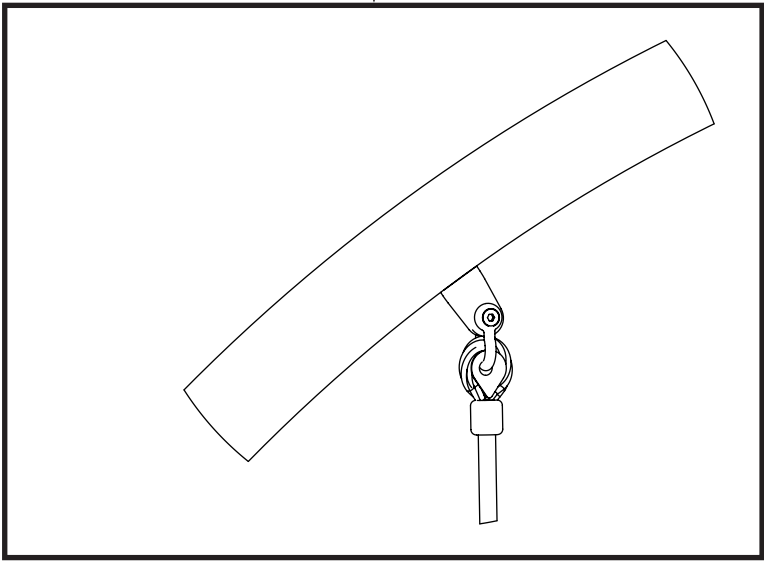
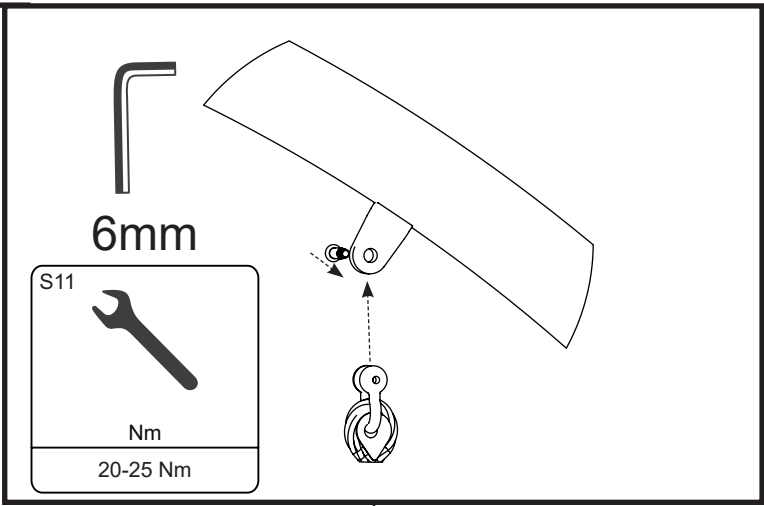
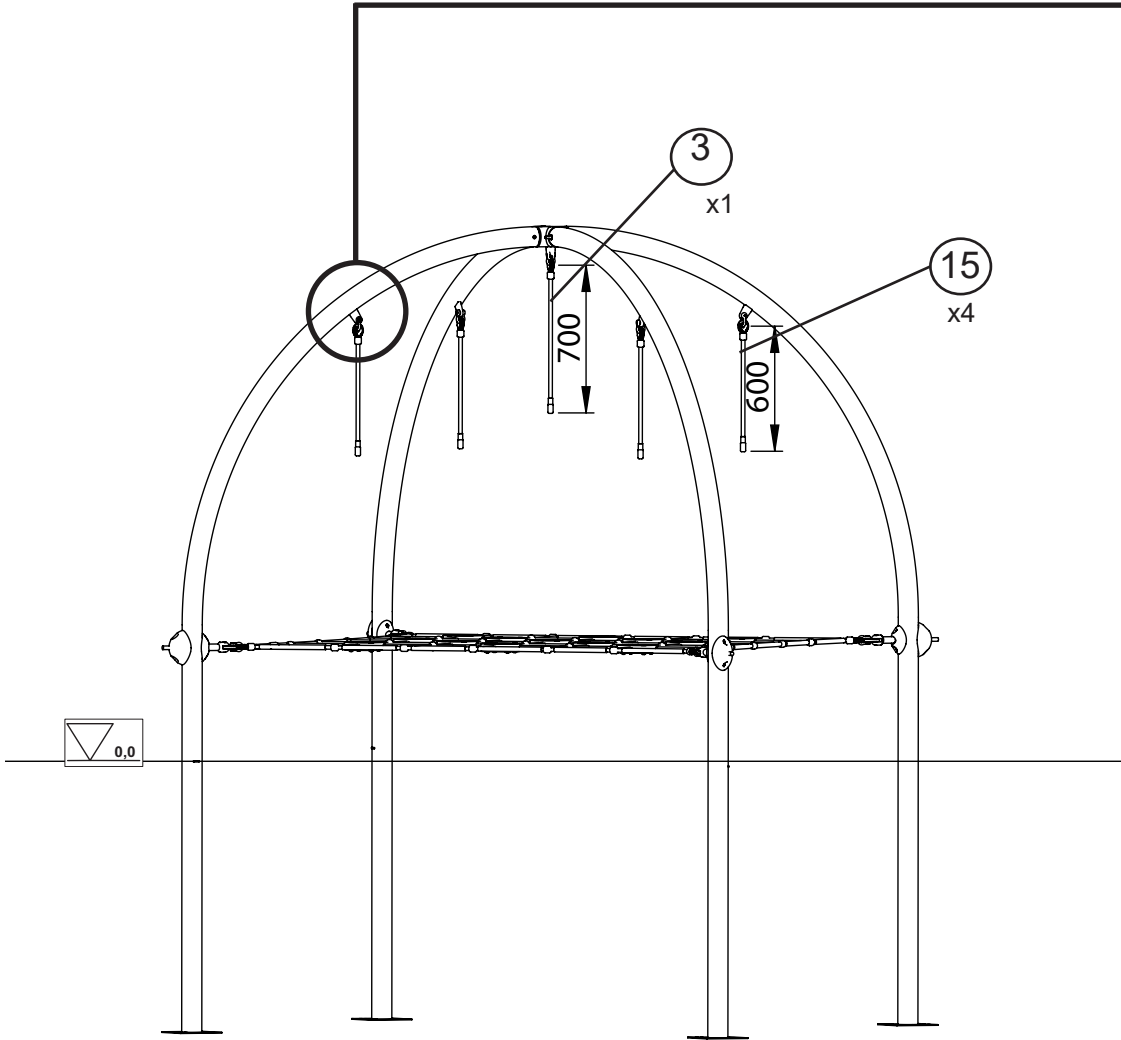
101

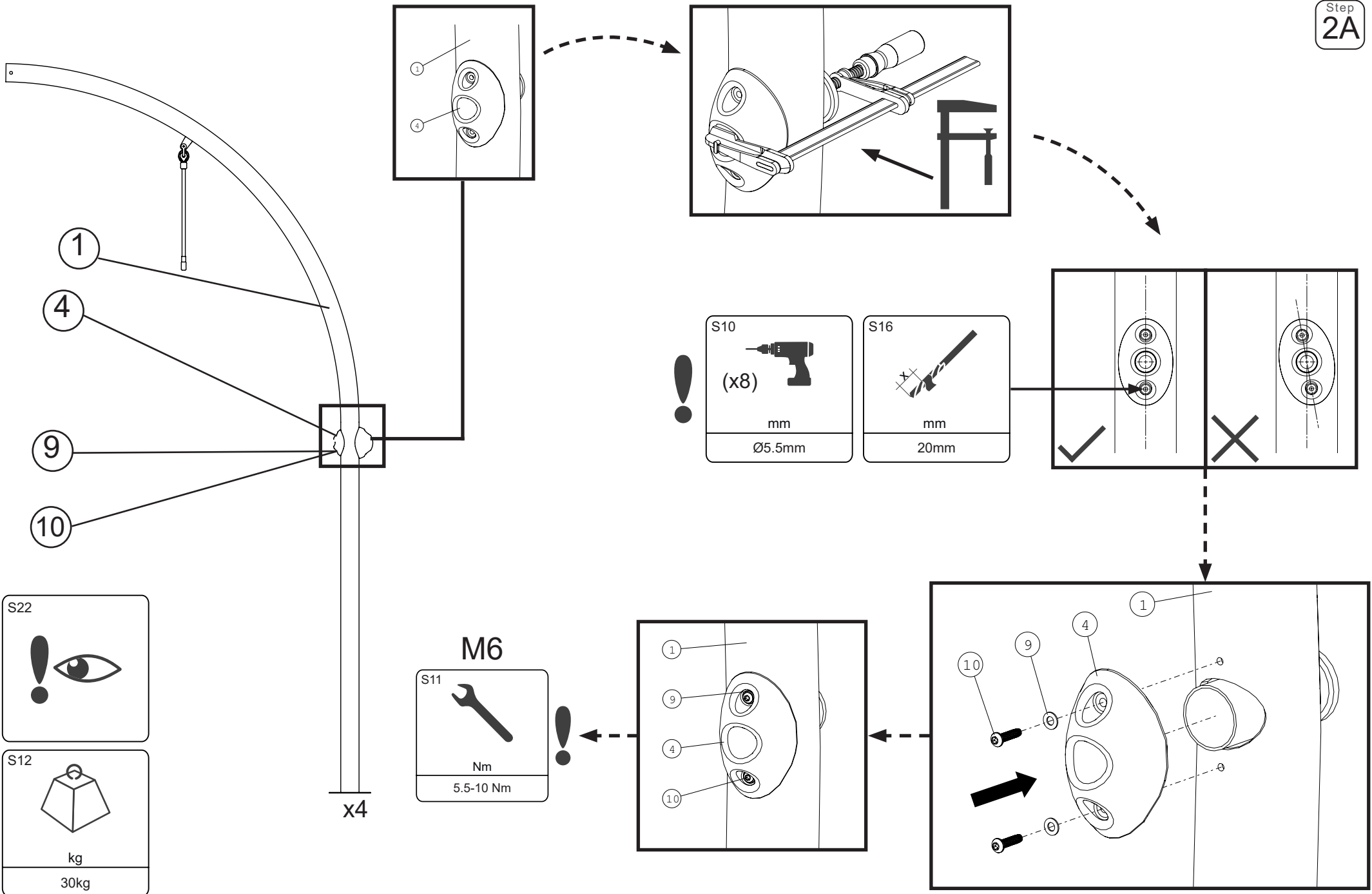
S6

EN1176
0.6m



Step
1





S22

S12

kg
30kg

M6

S11

Nm
5.5-10 Nm

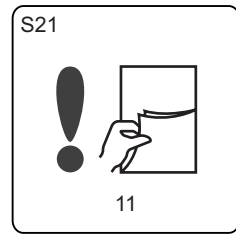
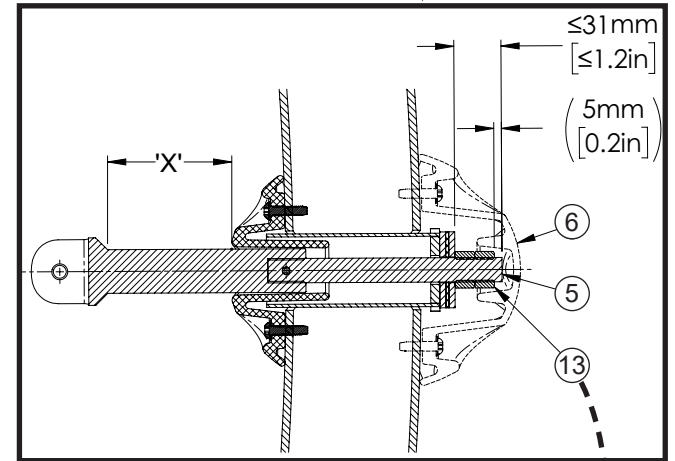
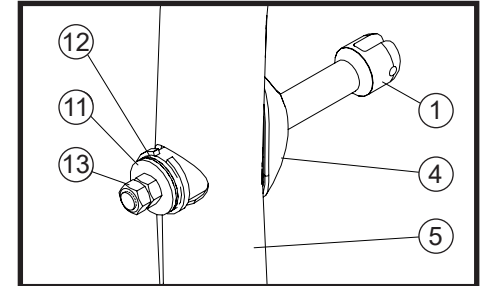
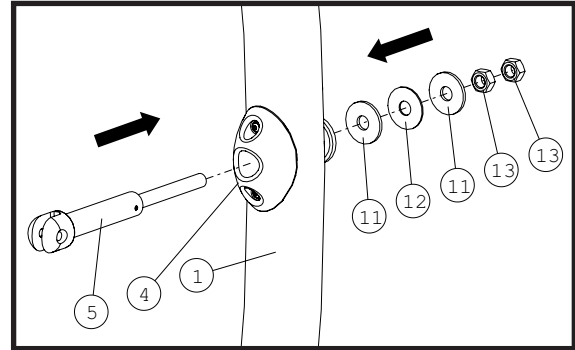
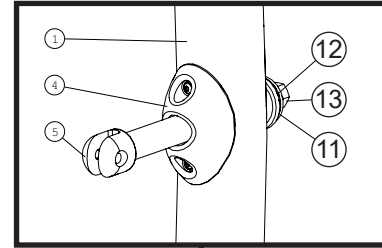
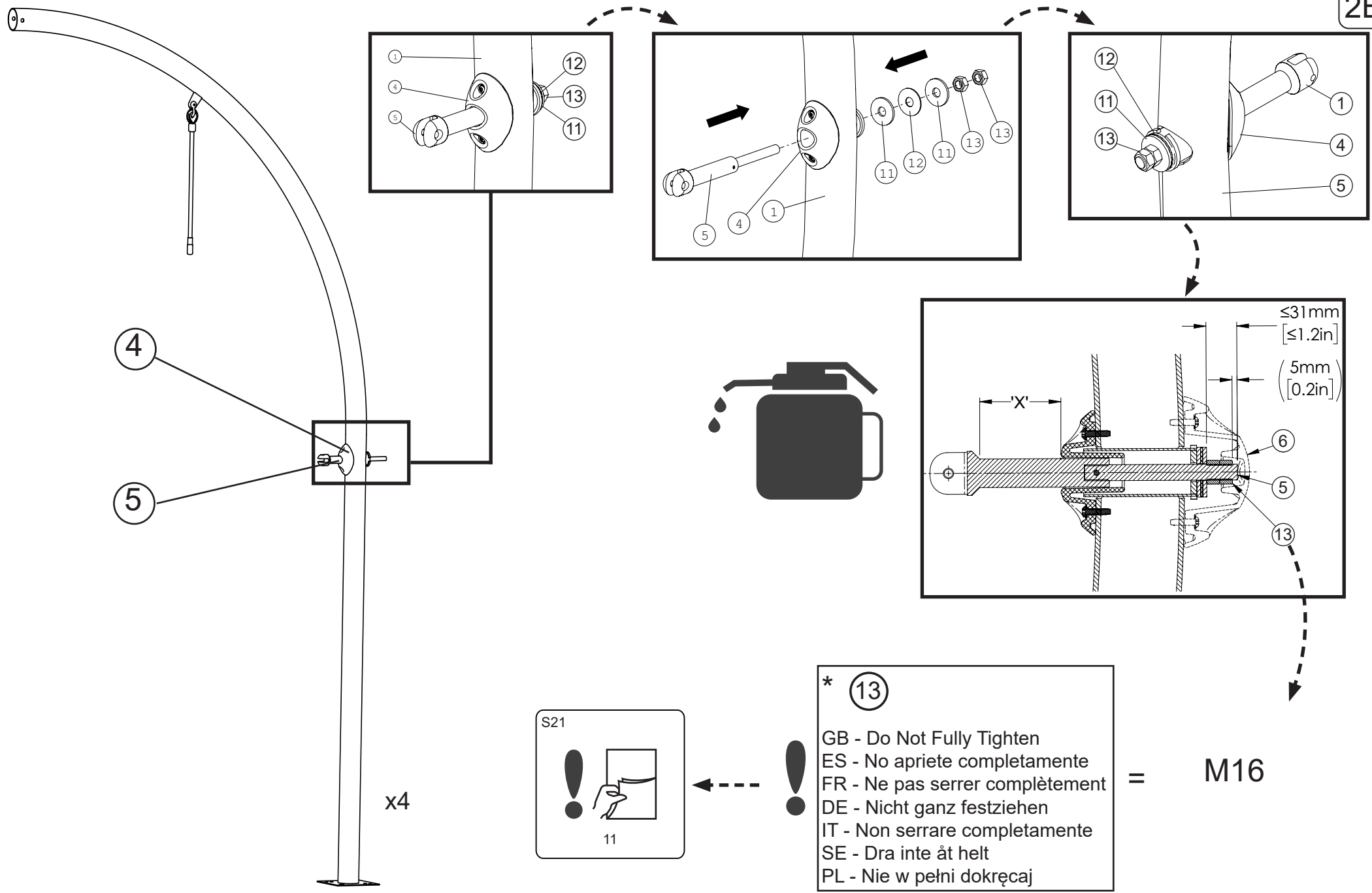
S10

(x8)

mm
Ø5.5mm

S16

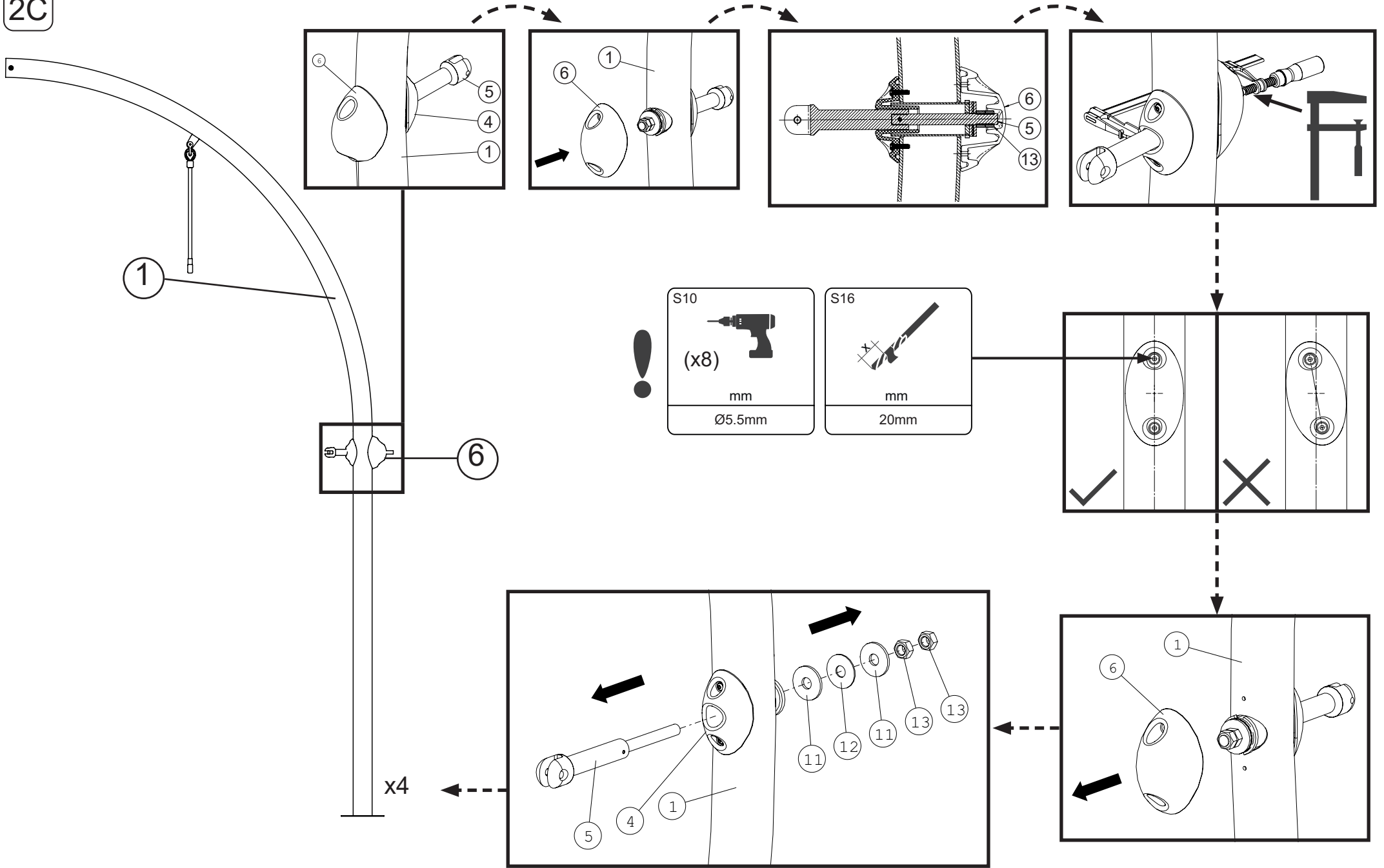
mm
20mm



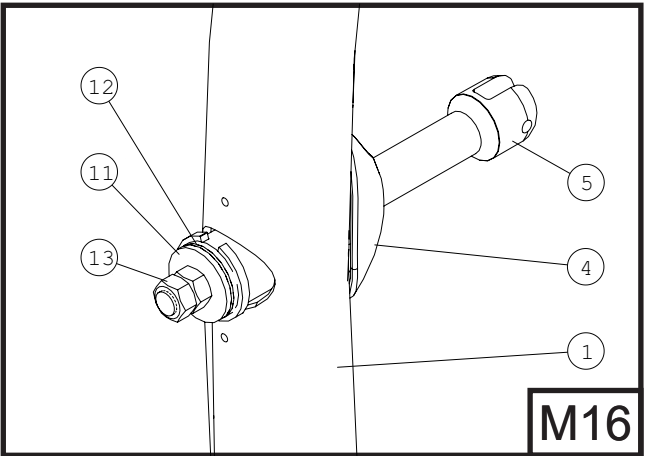
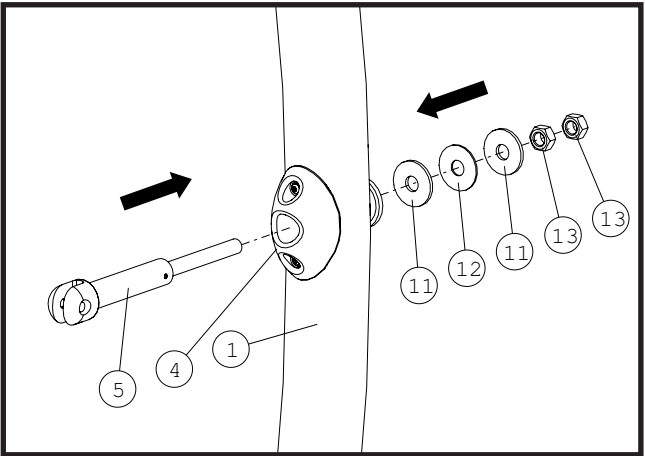
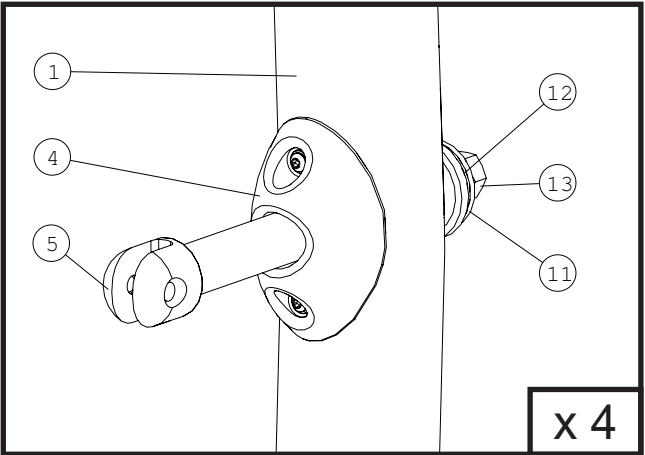
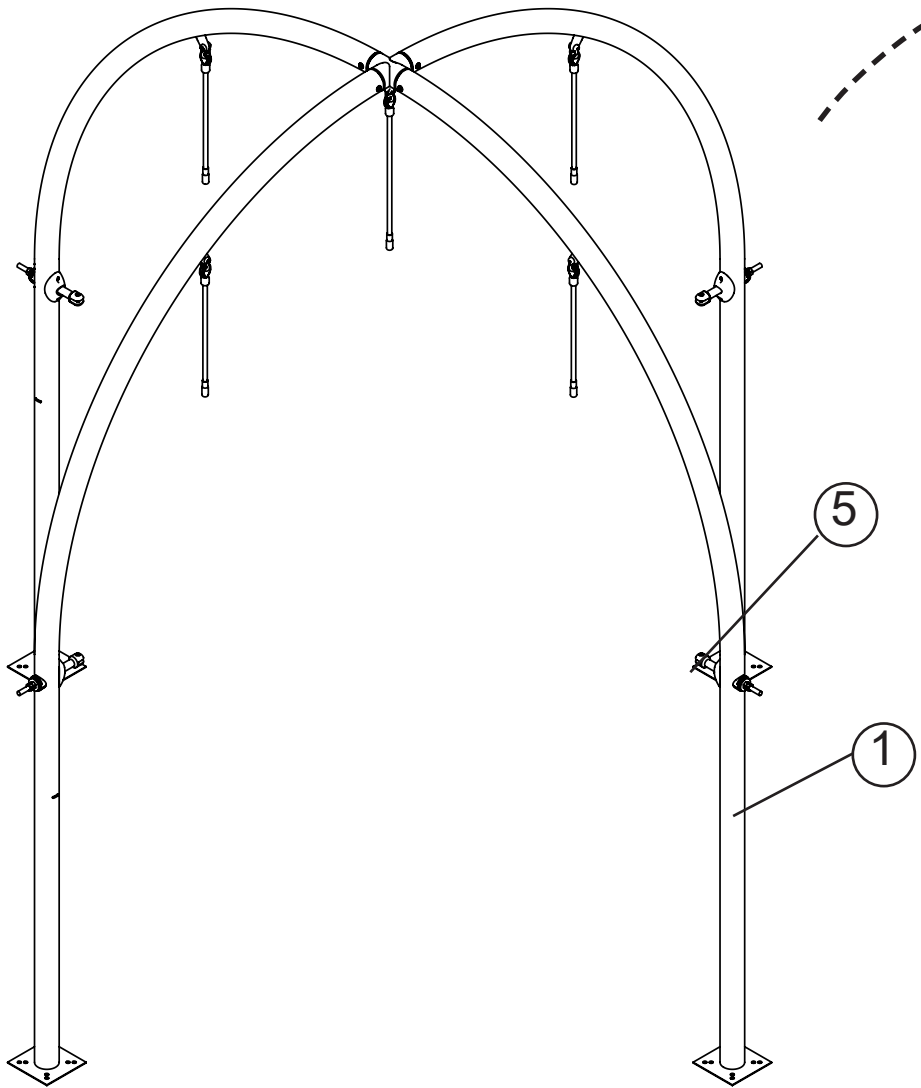
* **13**
 GB - Do Not Fully Tighten
 ES - No apriete completamente
 FR - Ne pas serrer complètement
 DE - Nicht ganz festziehen
 IT - Non serrare completamente
 SE - Dra inte åt helt
 PL - Nie w pełni dokręcaj

= **M16**

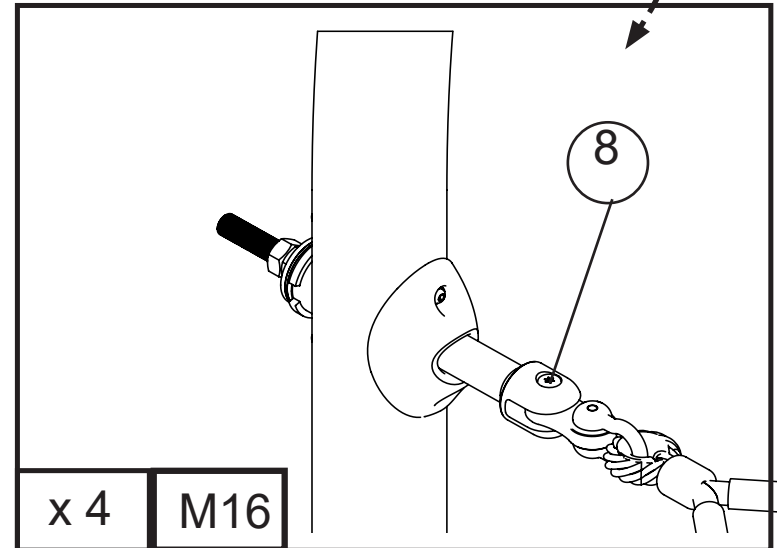
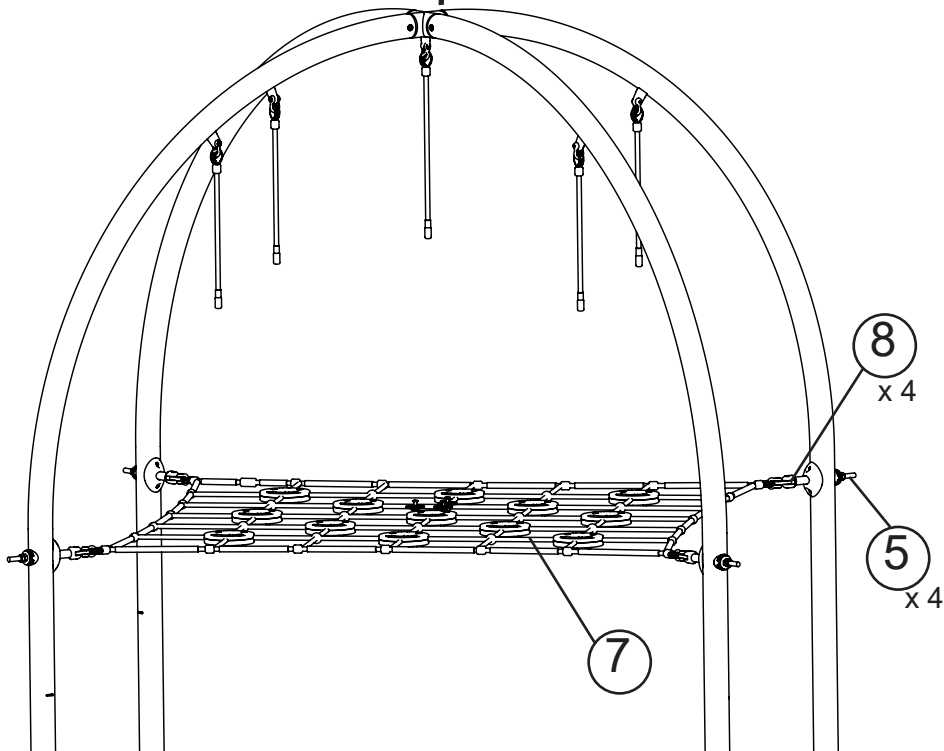
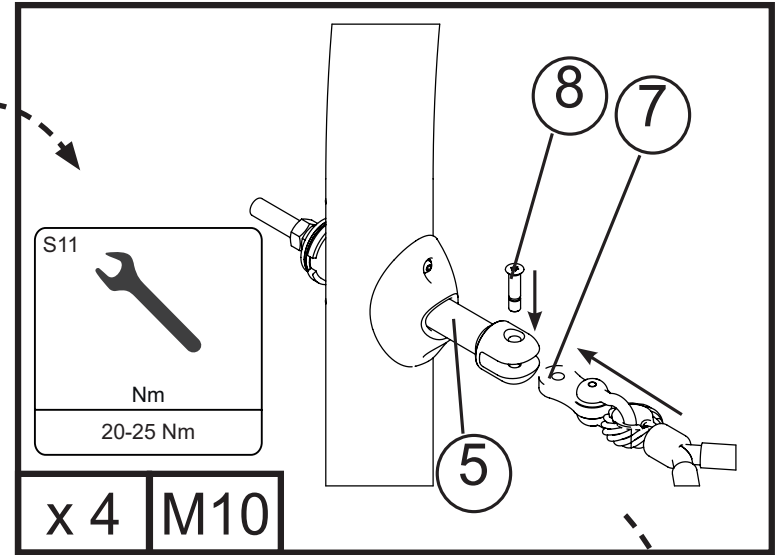
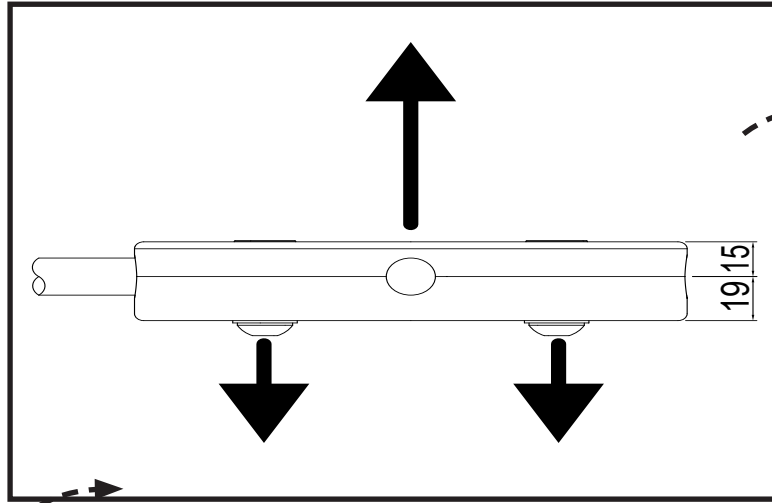
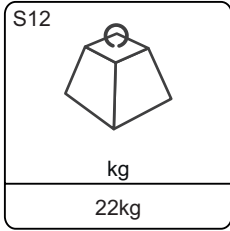
Step 2C



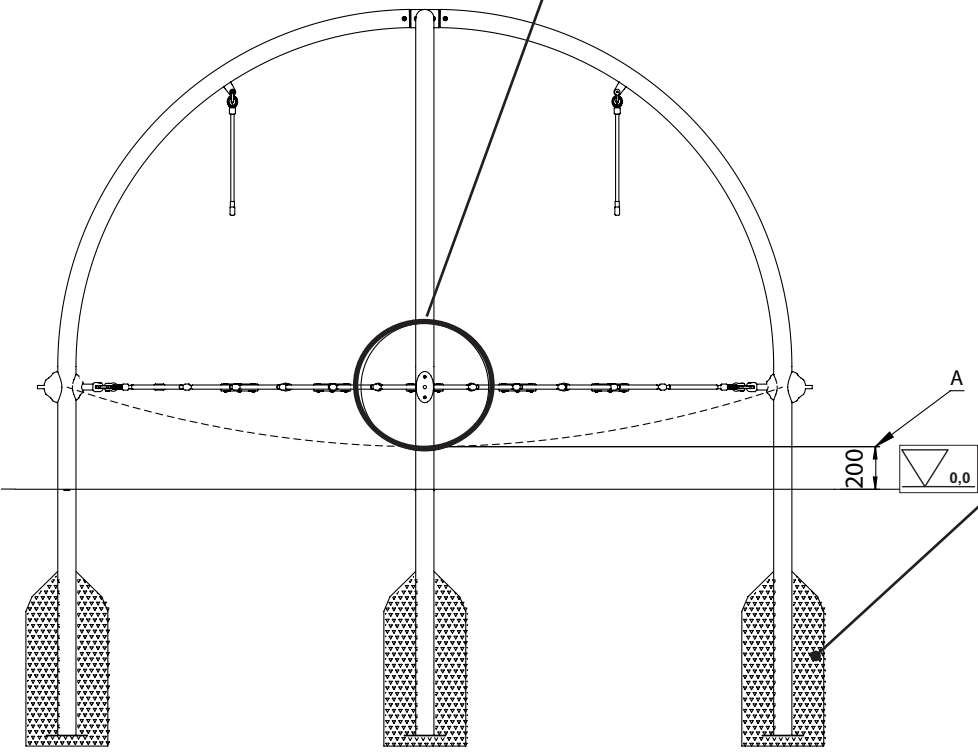
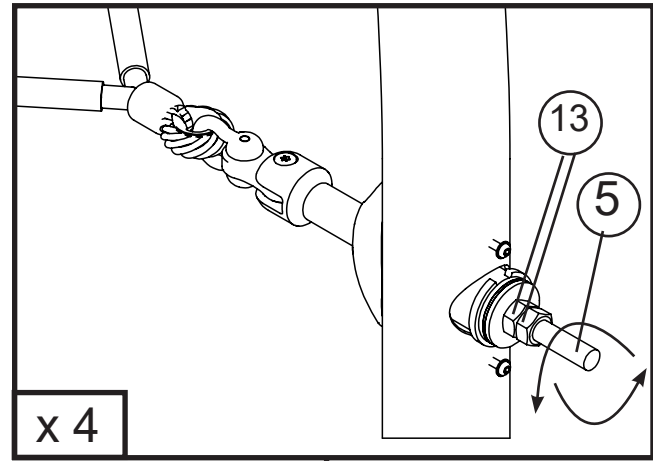
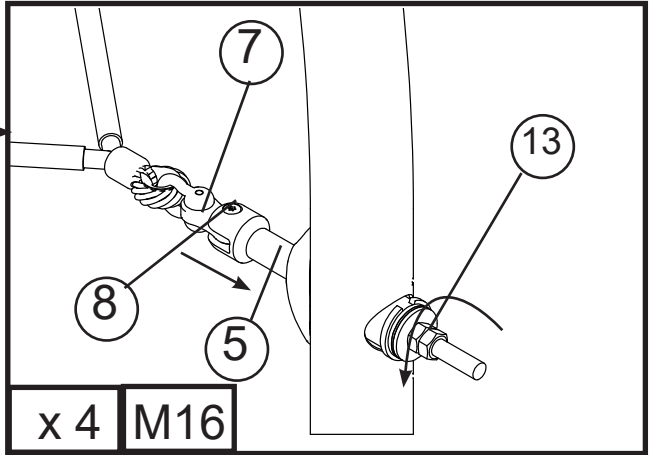
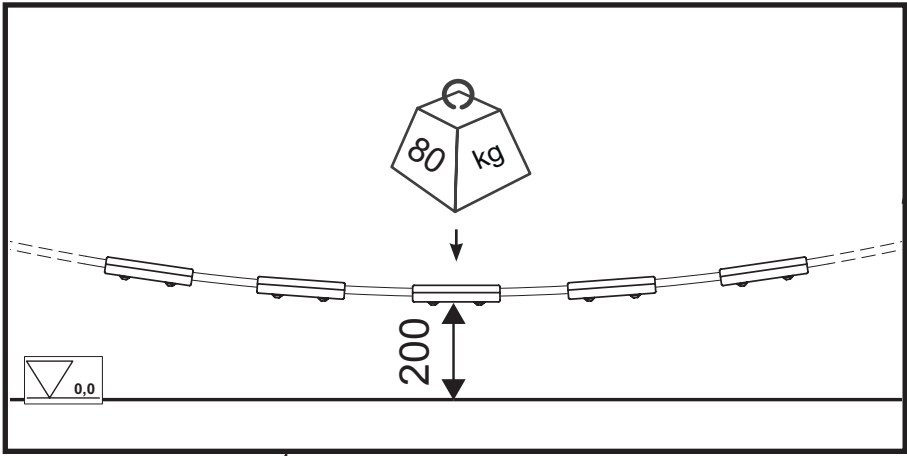
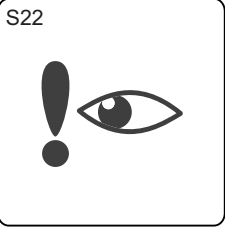
Step
3




Step
4




Step
5




S25



S2 (50mm)
≥C20-25



7 x 24h



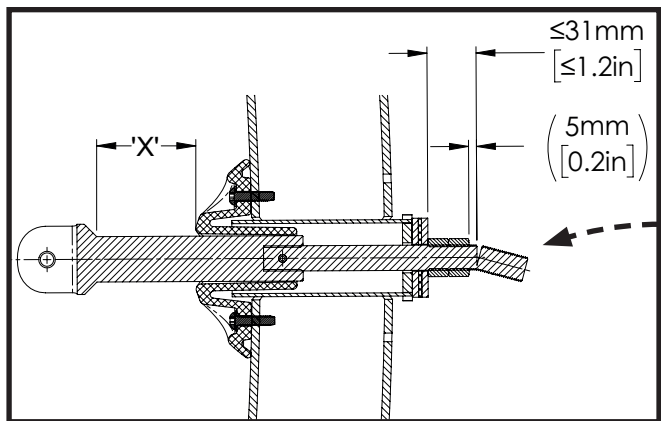
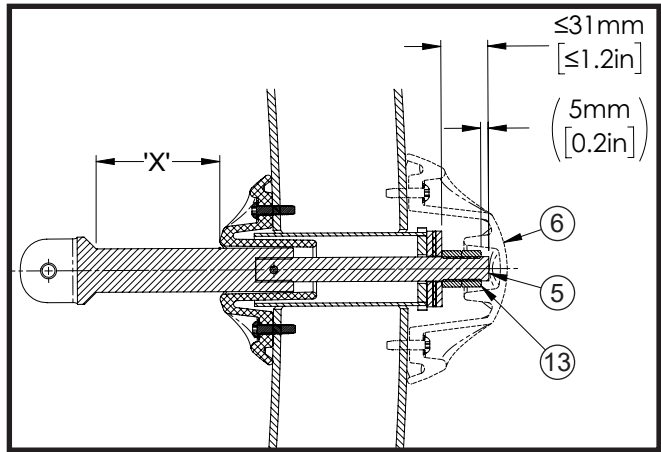
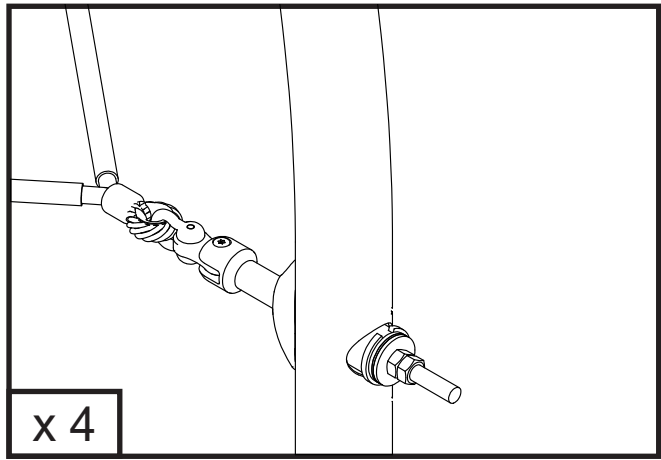
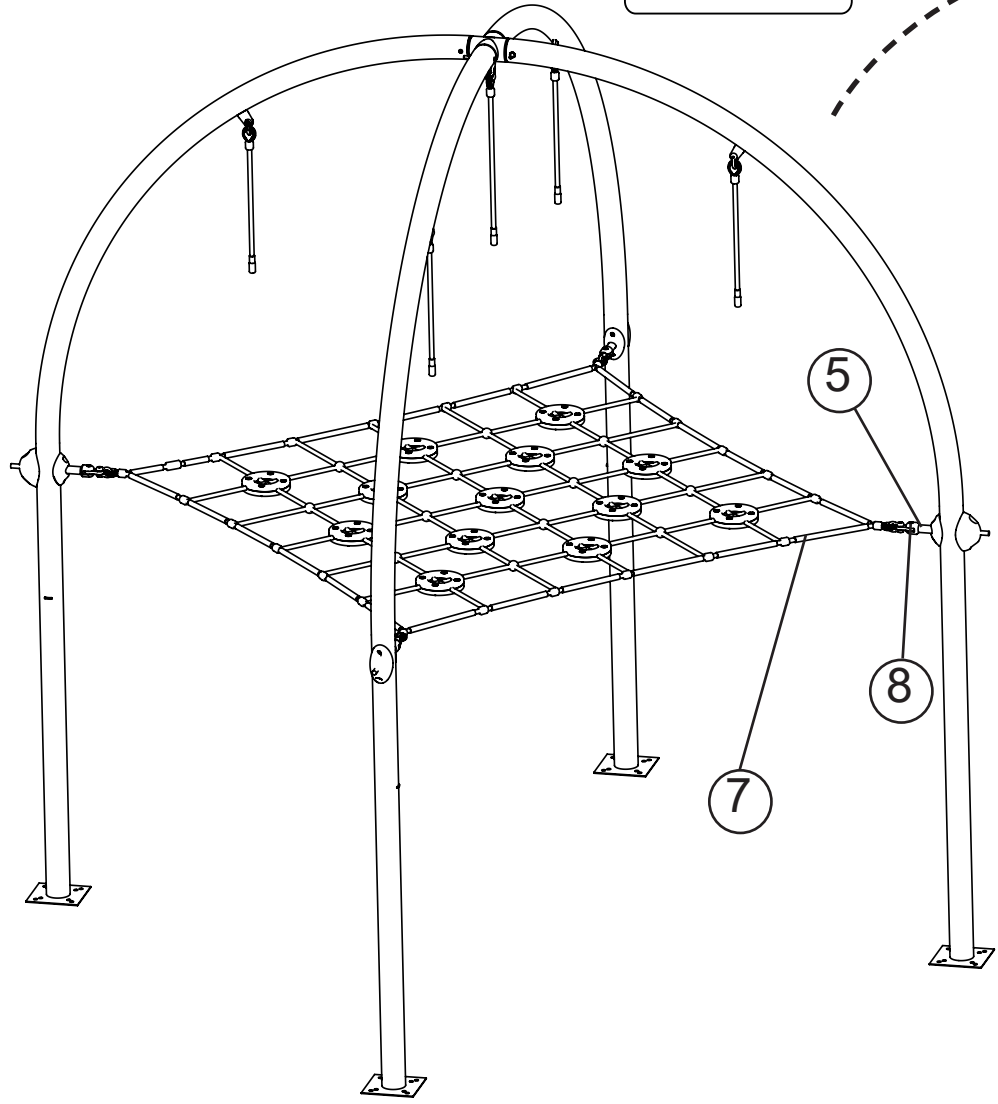
101



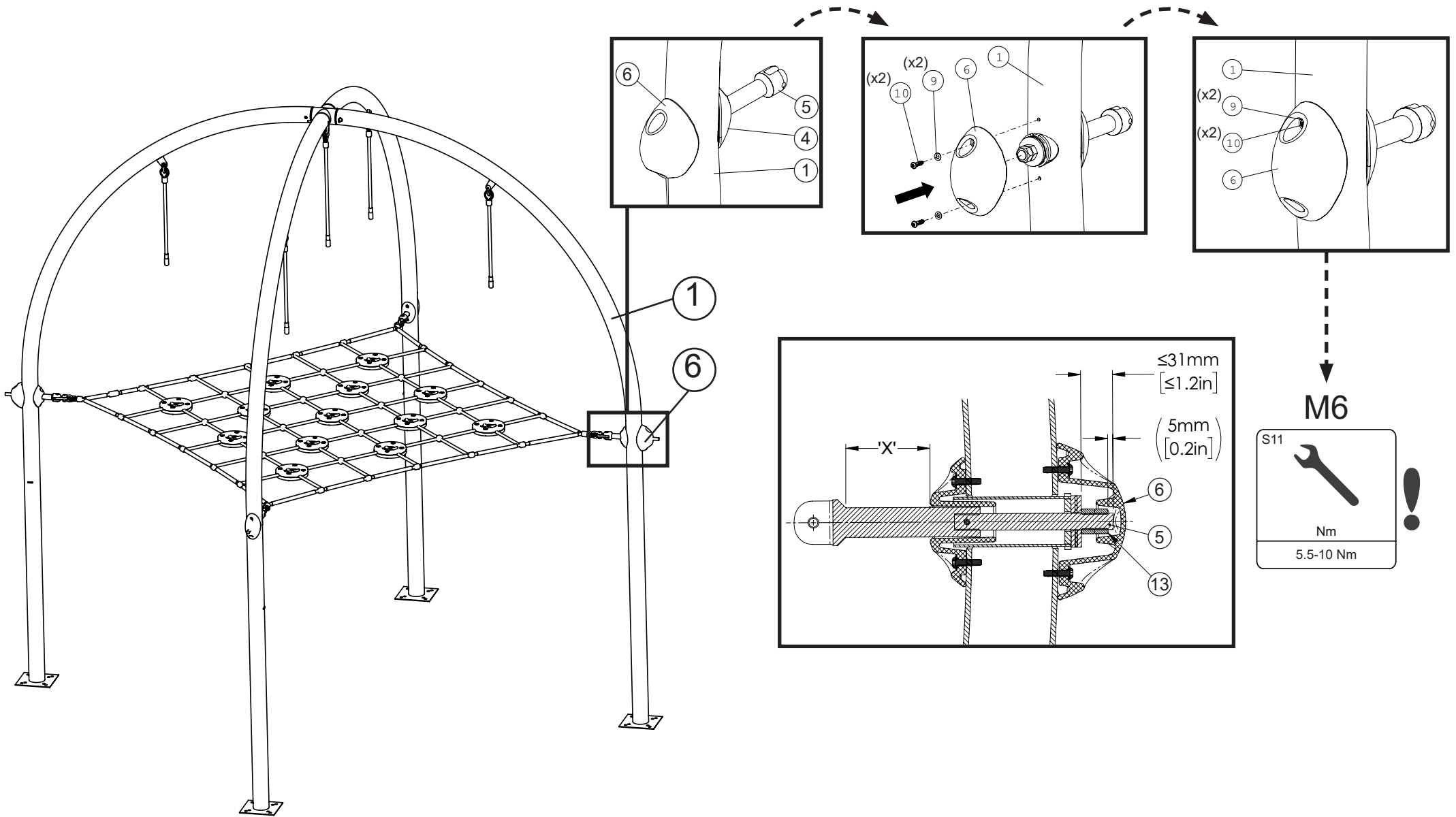
* (7) & (13)

GB - Tighten Completely
 ES - Apretar completamente
 FR - Serrer complètement
 DE - Ganz festziehen
 IT - Stringere completamente
 SE - Dra åt helt
 PL - Całkowicie dokręcić

Step
6



Step
7



A ~ EN 1176

