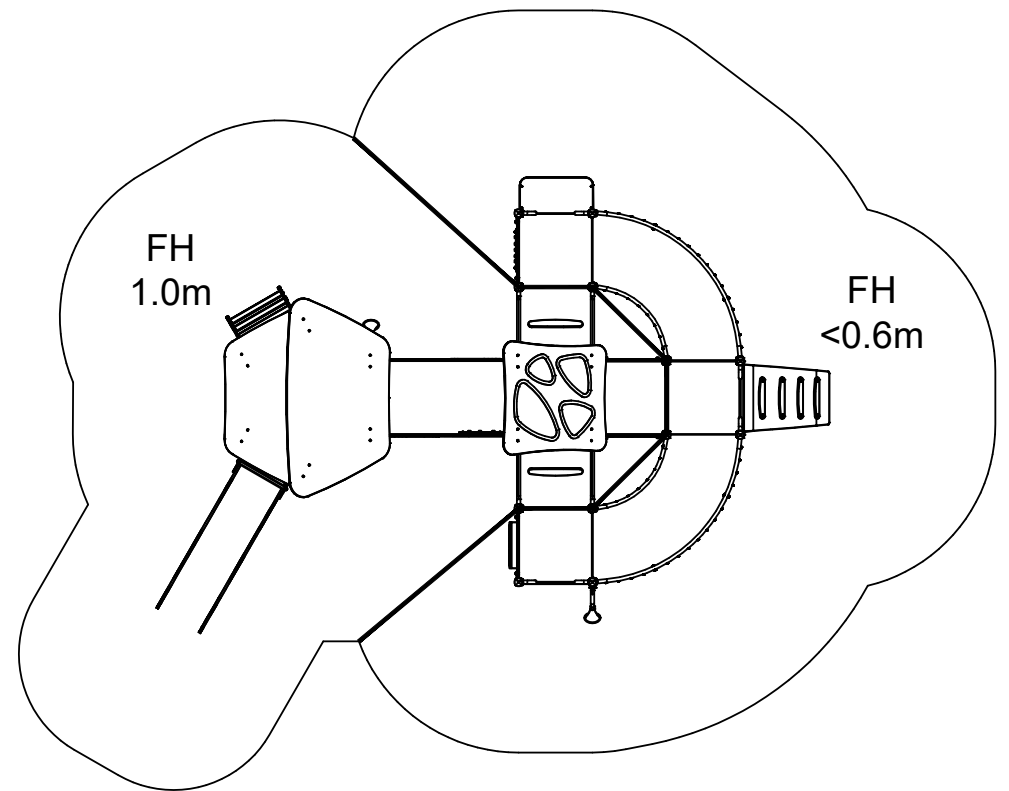
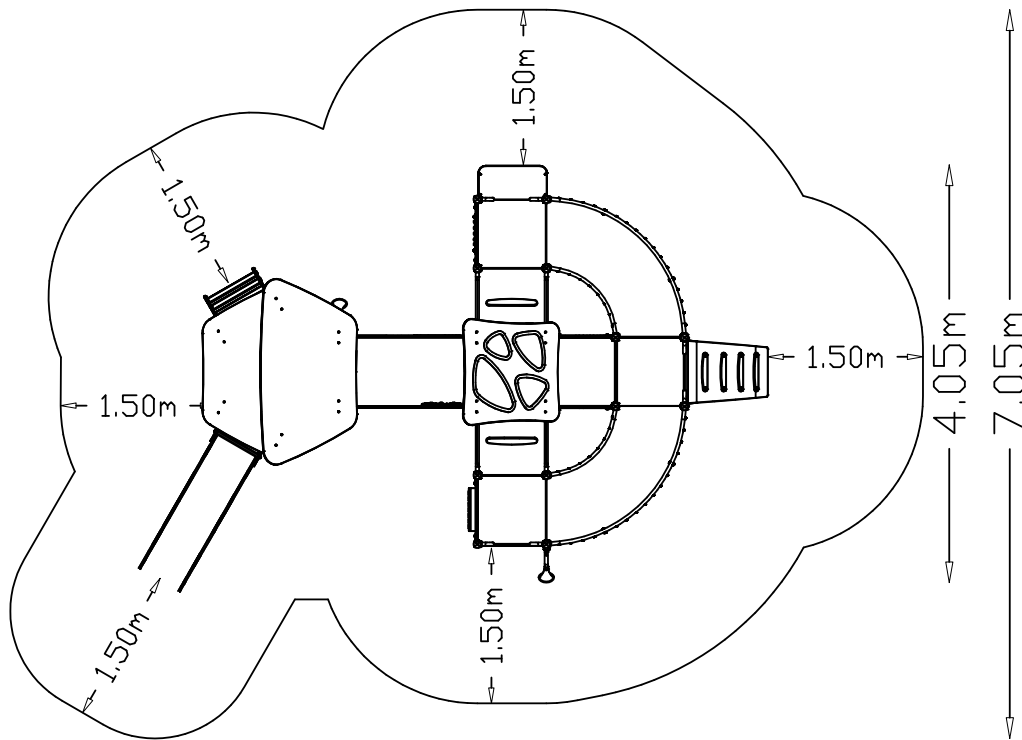
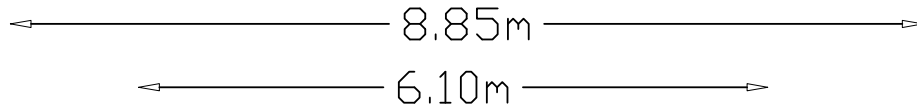
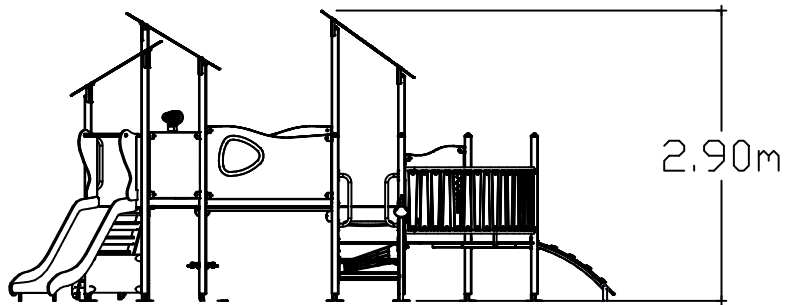
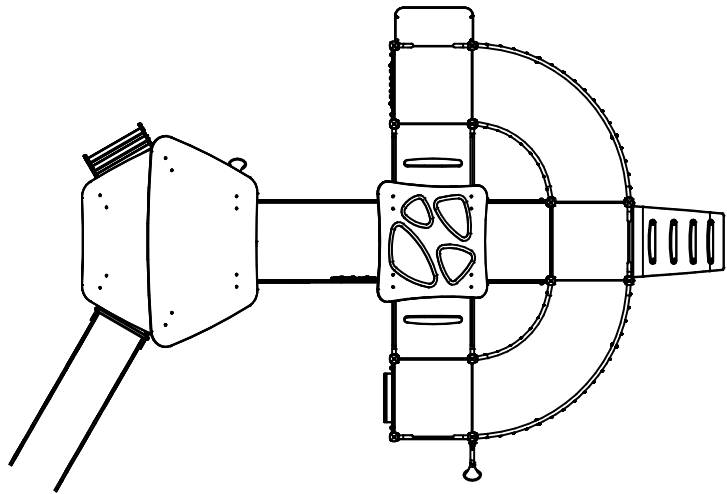
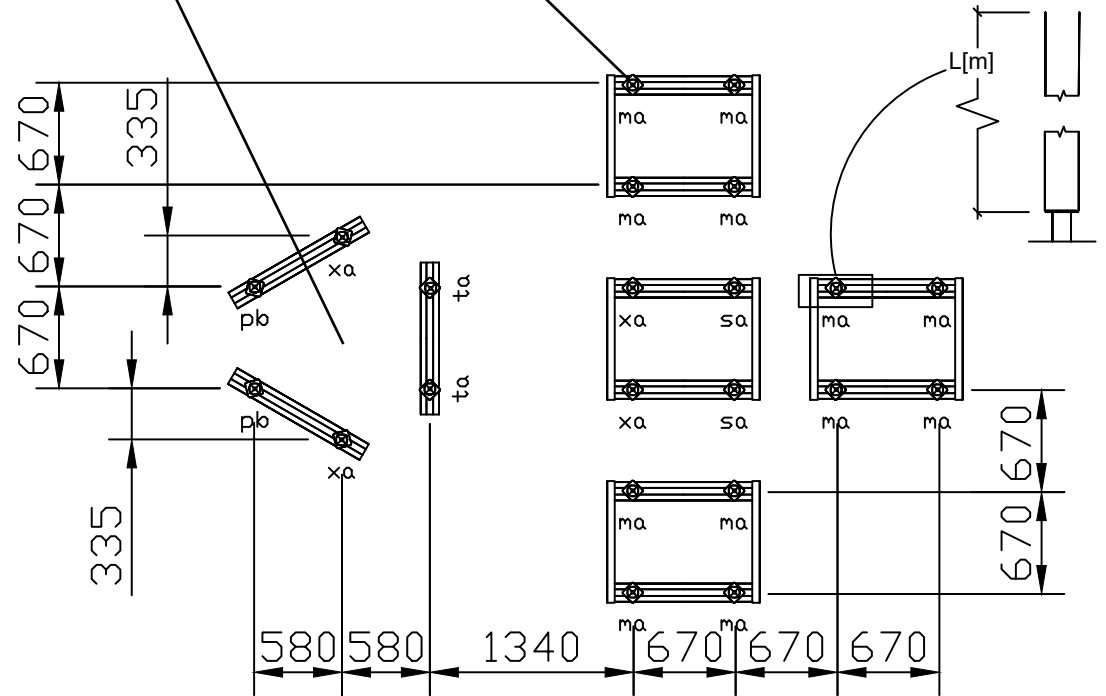


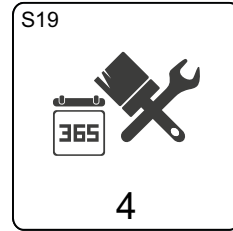
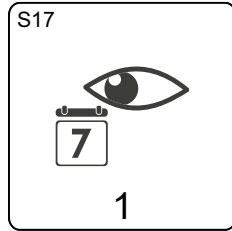
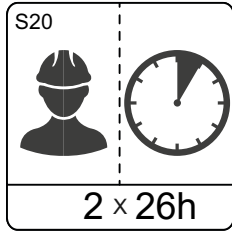
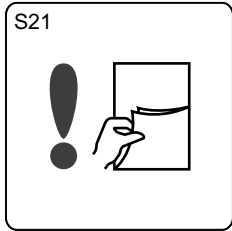
# EN 1176



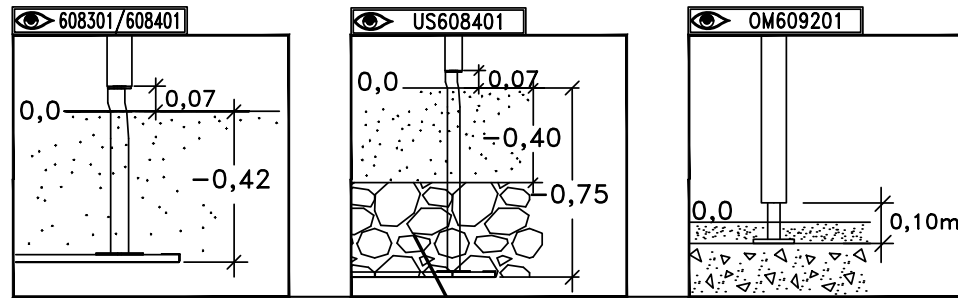


- 610076
- 610072-03
- MASW96524 [SF]
- MASW96529 [OM]
- 6084 01





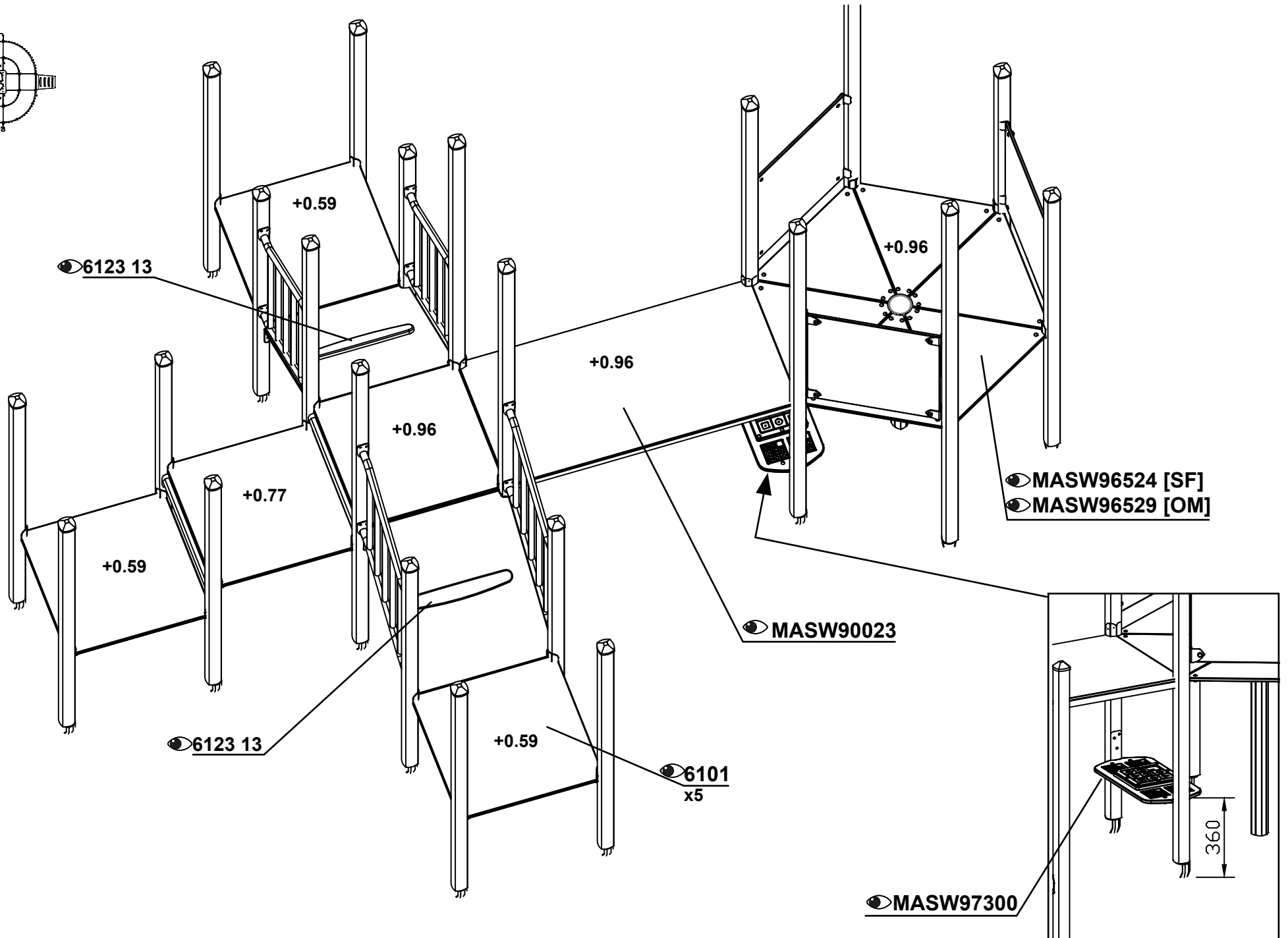
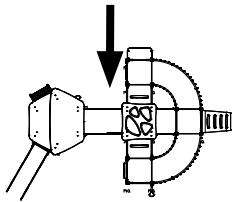
**610076**  
**610072-03**  
**608401**  
**MASW96524 [SF]**  
**MASW96529 [OM]**  
**6101**  
**6123 13**  
**MASW90023**  
**MASW97300**  
**6381 13**  
**MASW90924**  
**MASW97030**  
**6211 01**  
**MASW88826**  
**MASW95770**  
**MASW89682**  
**6701016**  
**6954**  
**6942**  
**6952**  
**62093813**  
**42291210**  
**MASW89186**  
**696305**  
**MASW90339**  
**MASW89960**  
**62099113**  
**6099**  
**6342**  
**260329**

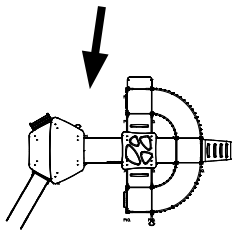


**SF**  
**Sunken Foundation**  
**8098215**

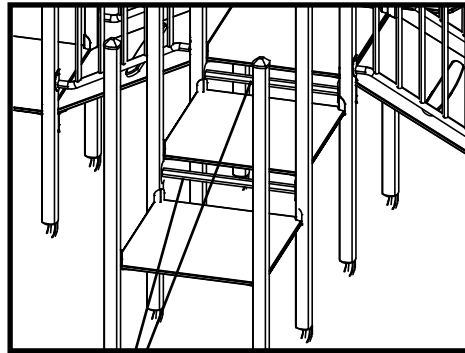
**BM**  
**Loosefill**

**OM**  
**Above Ground**  
**8098216**



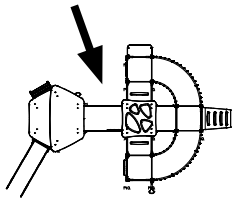


● MASW90924



● 6381 13  
x2

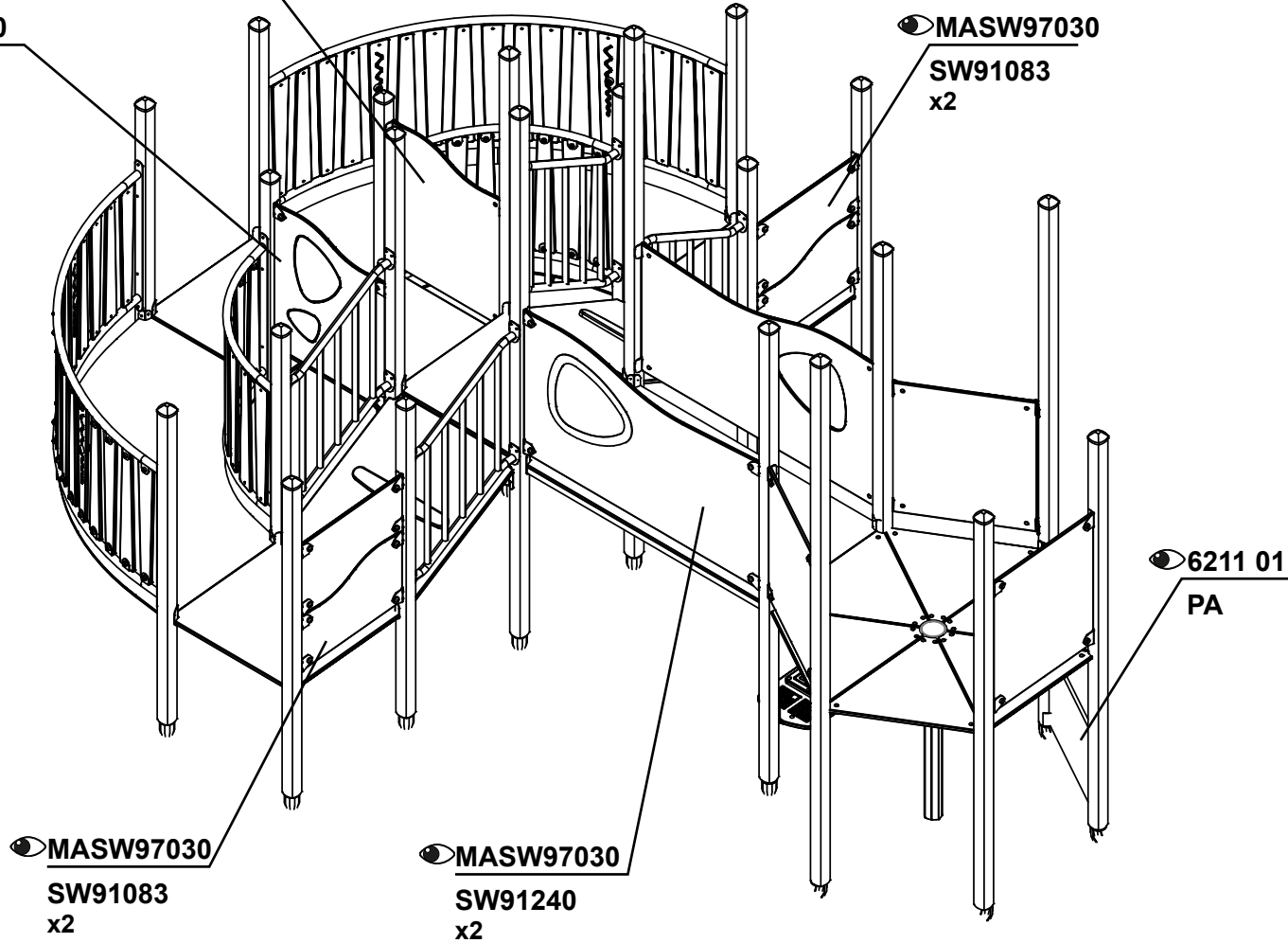
● MASW90924



MASW97030  
SW91093

MASW97030  
SW91188

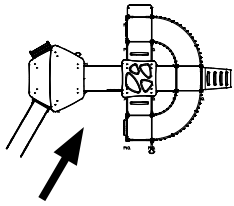
MASW97030  
SW91083  
x2



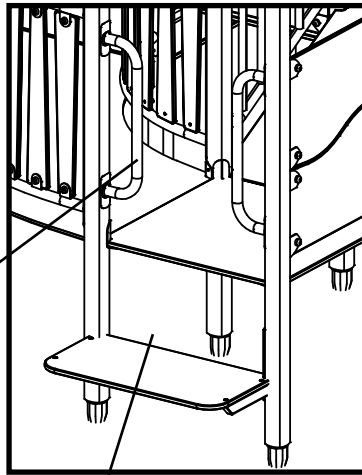
6211 01  
PA

MASW97030  
SW91083  
x2

MASW97030  
SW91240  
x2



62099113  
x2



MASW88826

62099113  
x2

6701016

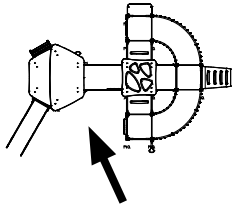
62099113  
x2

MASW85770 [SF]  
MASW89682 [OM]

62099113  
x2

6381 13  
+0.48  
+0.24

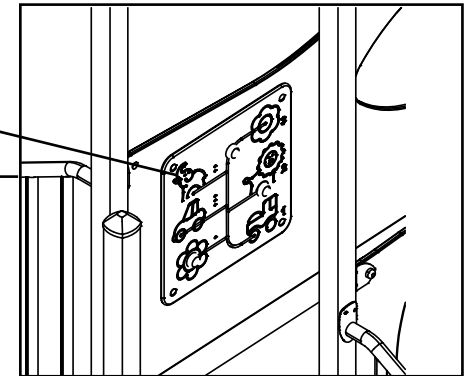




62093813

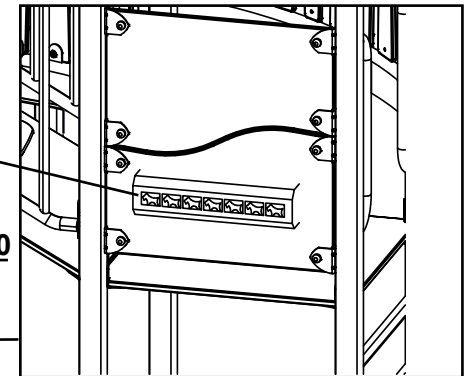
6952

6954

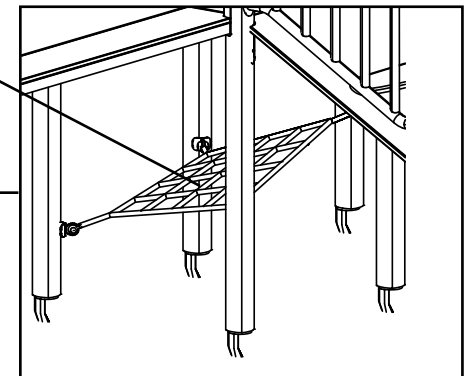


6942

42091210

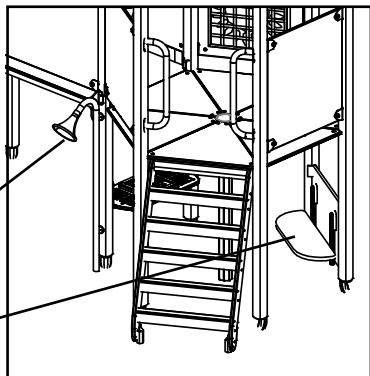


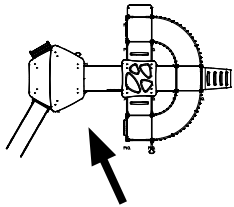
MASW89186



42091210

696305





MASW90339  
SW90339

MASW89960

6099  
x12

6342



260329