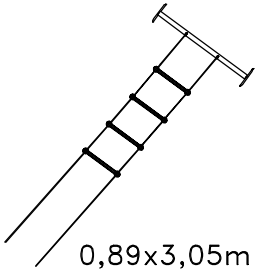


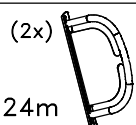
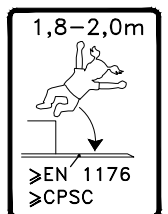
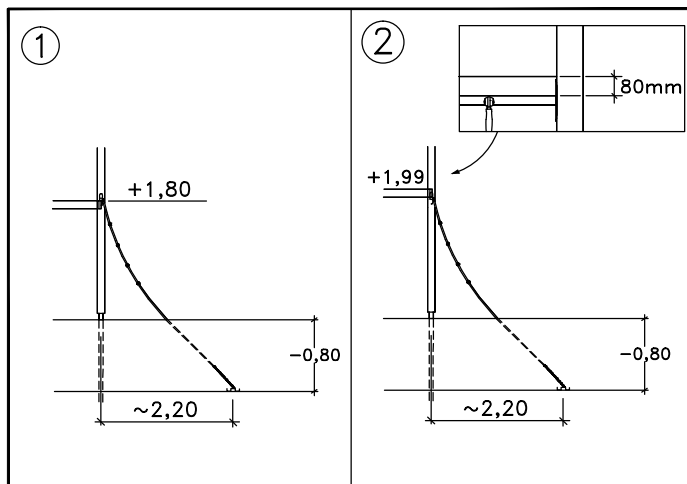
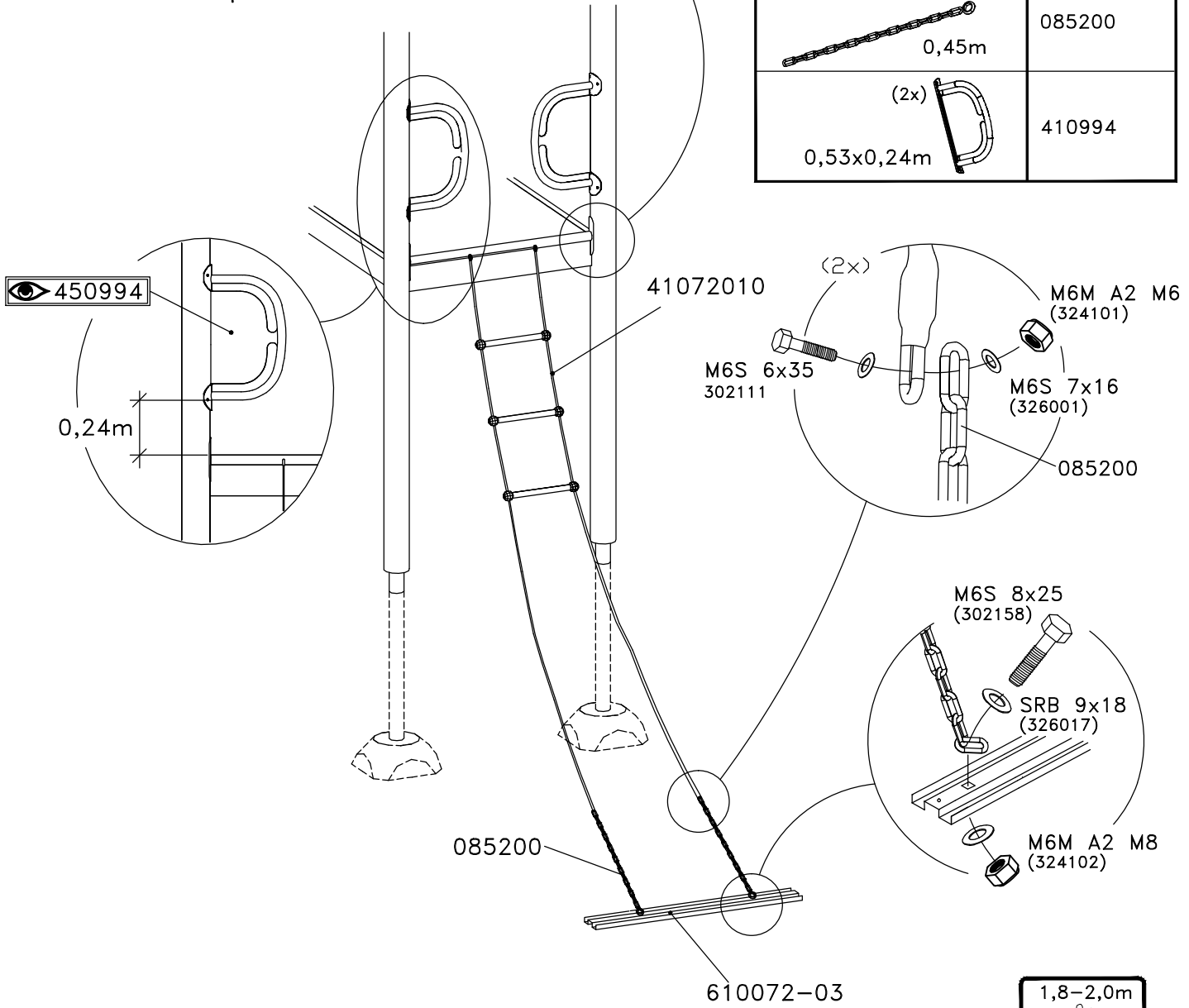


Screw thr-forming
M8x25-8.8-(ISO7380)
(8008506)

Ø7,3
MAX 400rpm

TYPE	HAGS.NO
 0,89x3,05m	41072010
 1,0m	610072-03
 0,45m	085200
(2x)  0,53x0,24m	410994



HAGS ANEBY, SWEDEN
+46(0)380-47300
www.hags.com

Ropeladder
454 720 10
1(1)

TJ ToB 2017-04-28 2