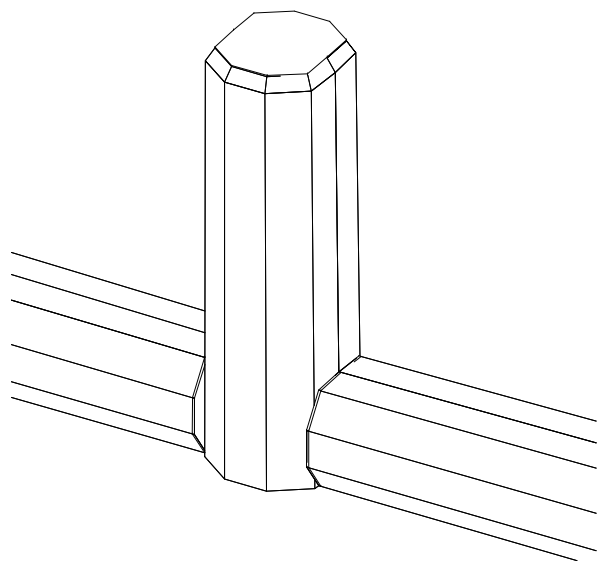
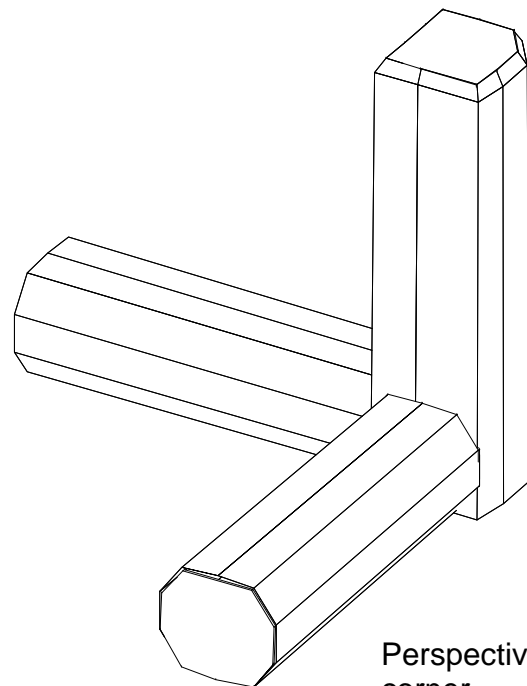


Assembly post diameter = 160/180

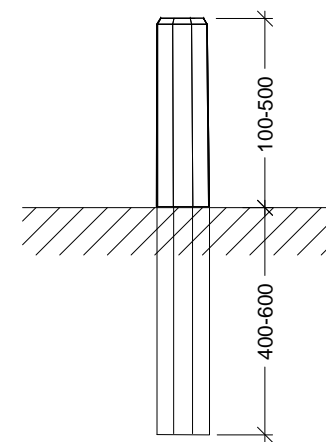
Free fall height: 0.5 m



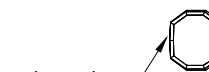
Perspective



Perspective corner



Side view



trimmed  
2 sides

Plan



trimmed  
2 sides  
corner