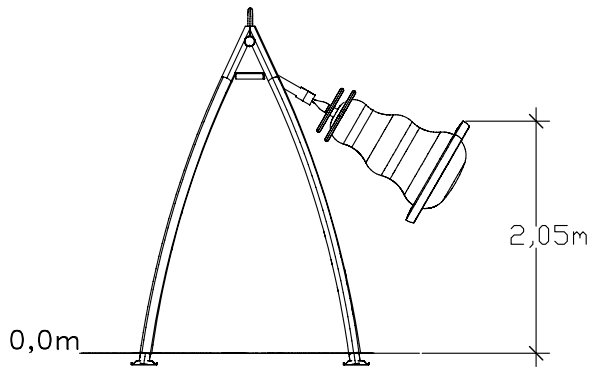
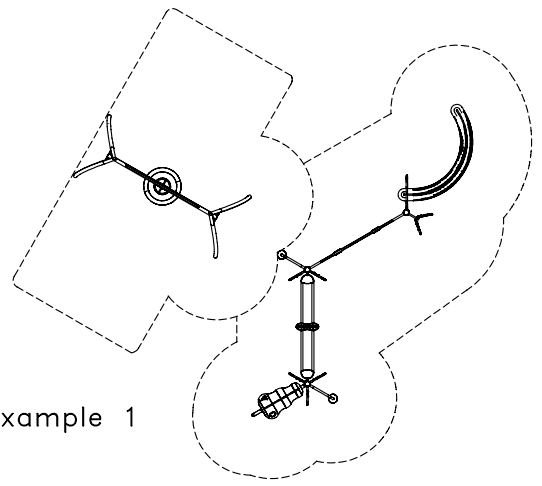
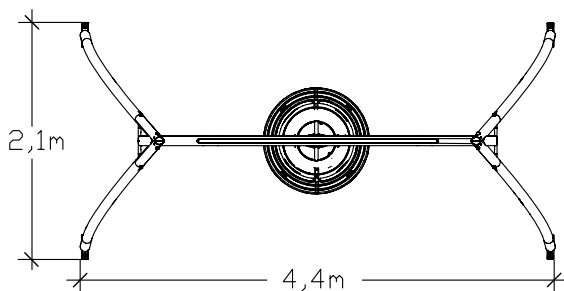
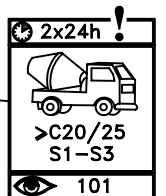
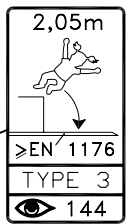
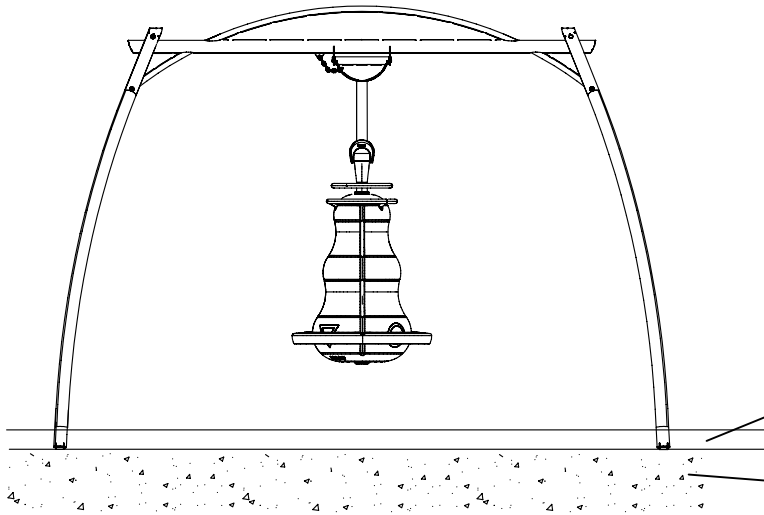
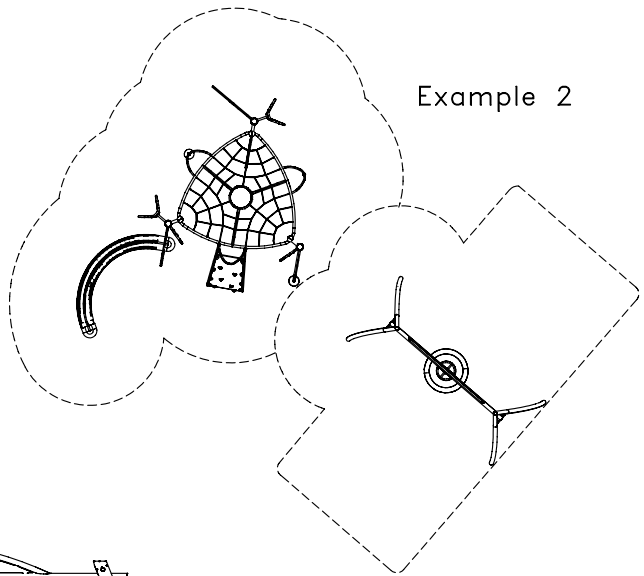


Example 1



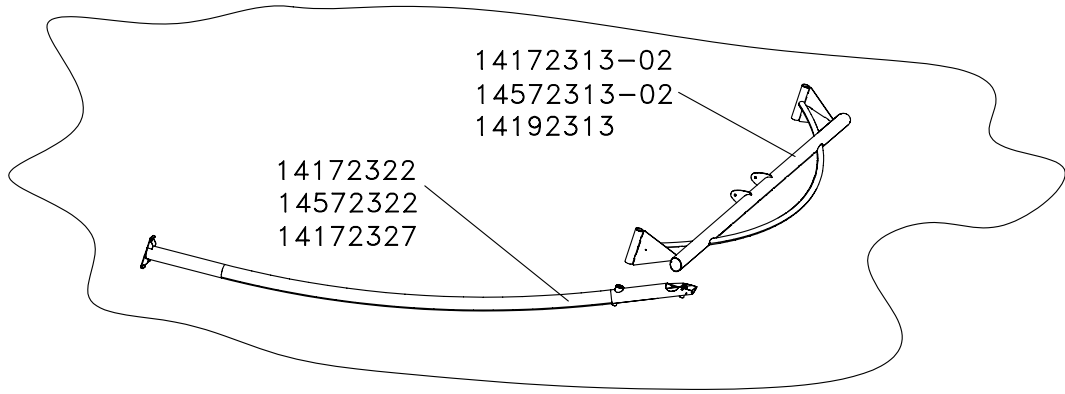
Example 2



**HAGS** ANEBY, SWEDEN  
+46(0)380-47300  
www.hags.com

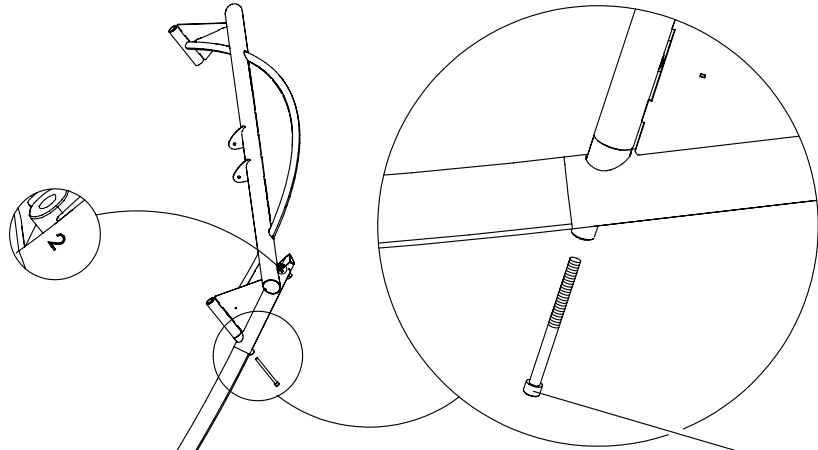
Cyklon  
142 723 OM  
1(5)

MN NN 2009-09-11 5



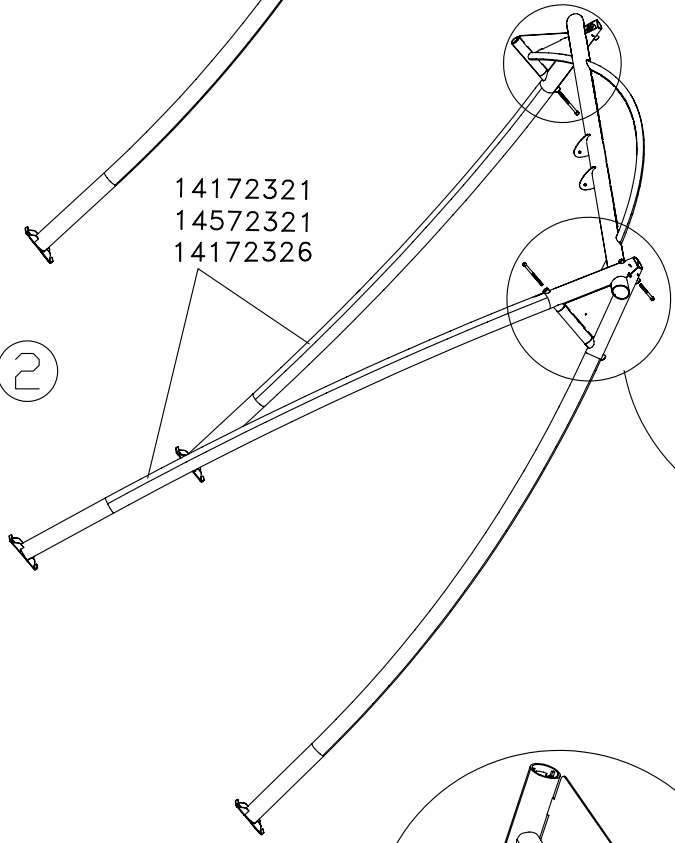
TYPE	ART.NO
	14172313-02 14572313-02 14192313
	14172310-02 14192310
	14172321 14572321 14172326
	14172322 14572322 14172327

1

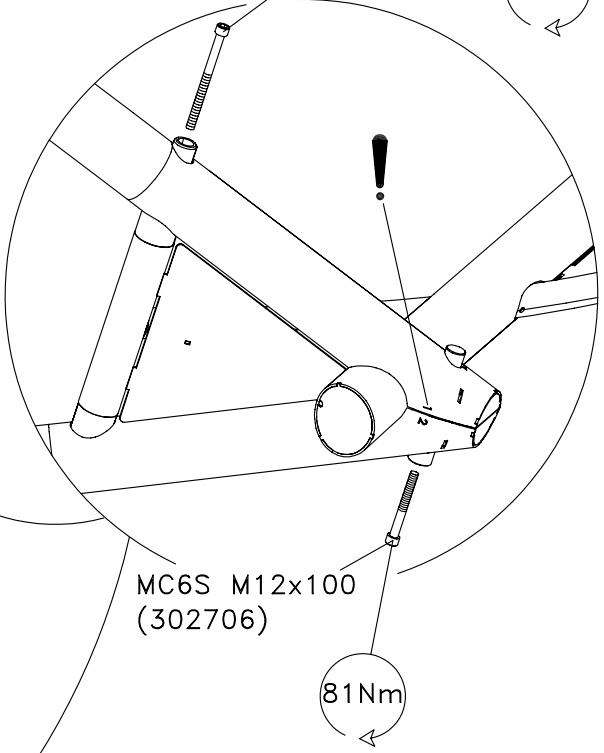


MC6S M12x150  
(302705) 81Nm

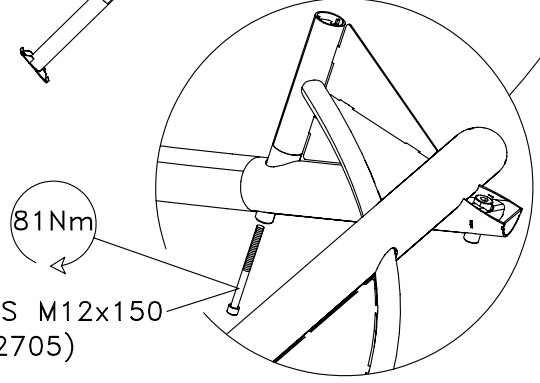
2



14172321  
14572321  
14172326



MC6S M12x100  
(302706) 81Nm

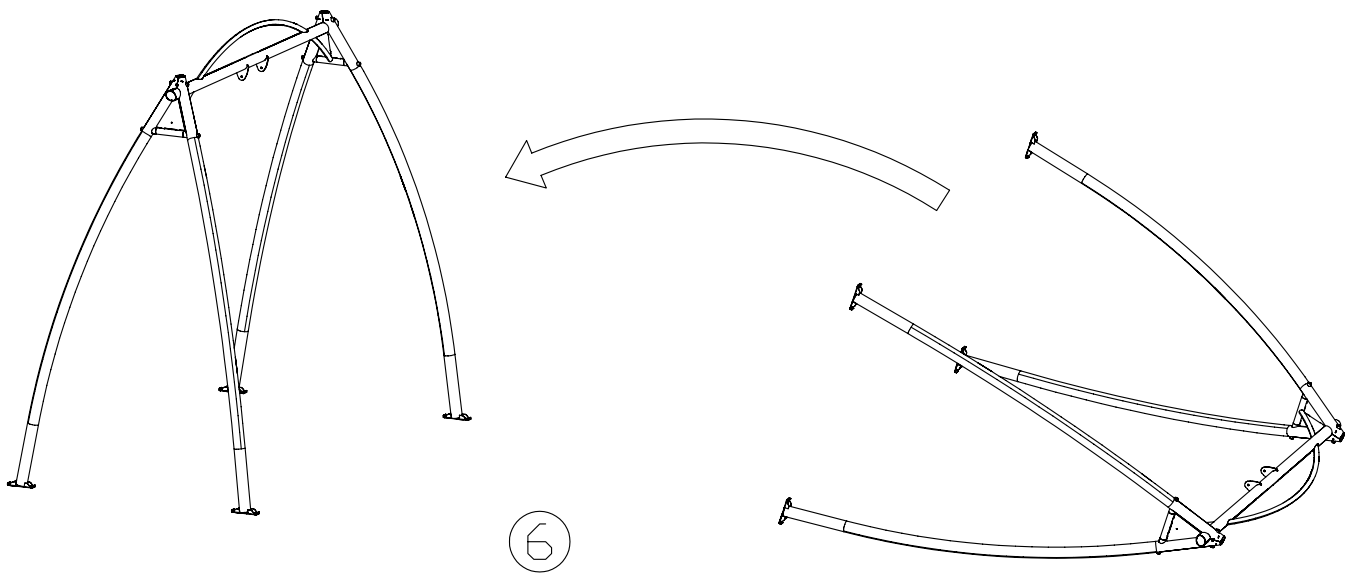
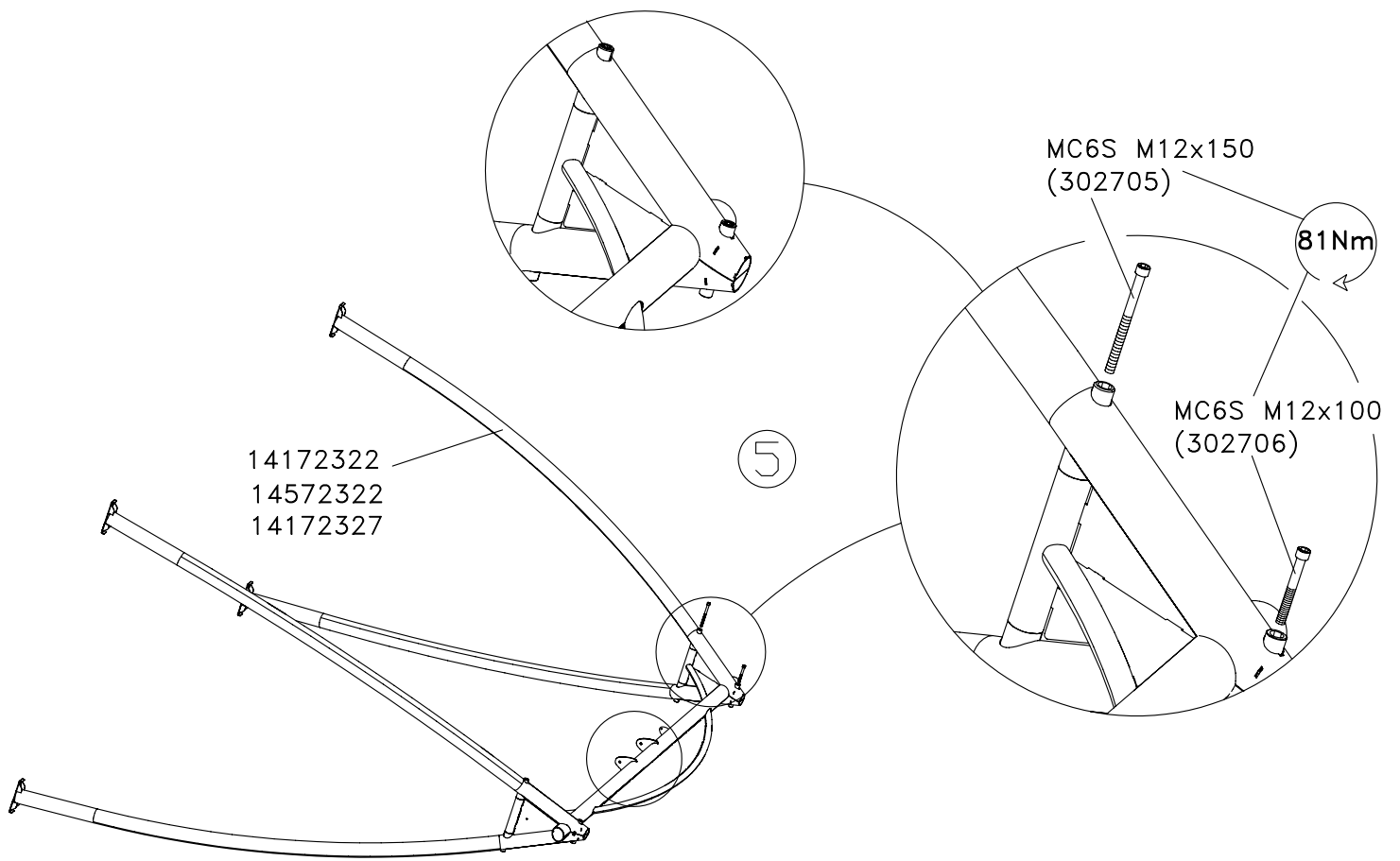


81Nm  
MC6S M12x150  
(302705)

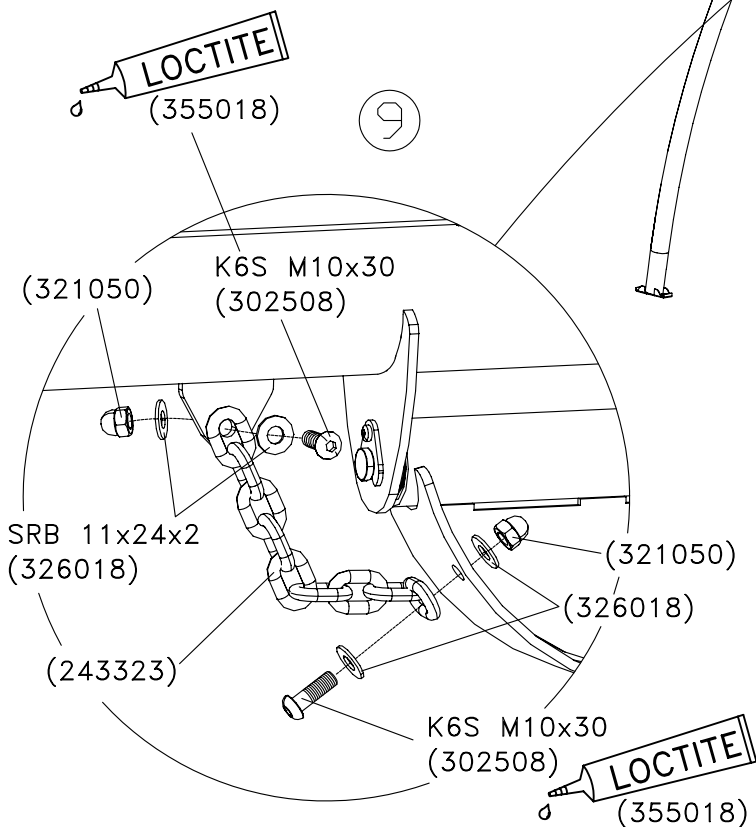
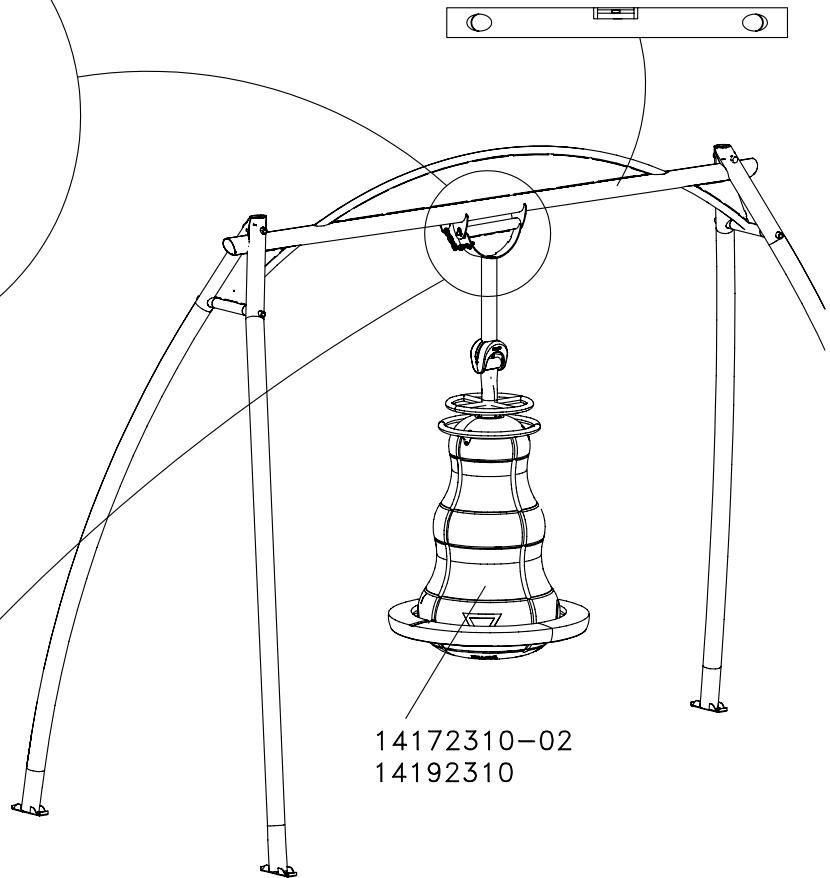
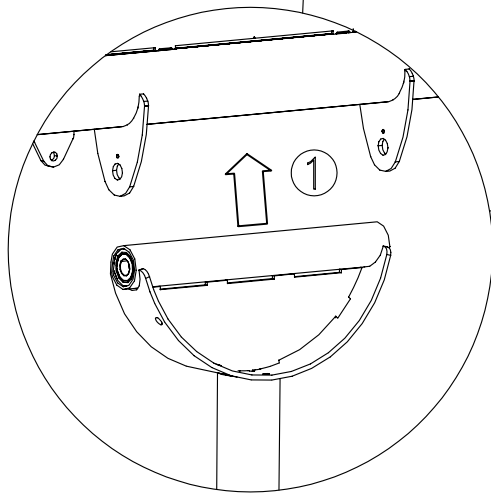
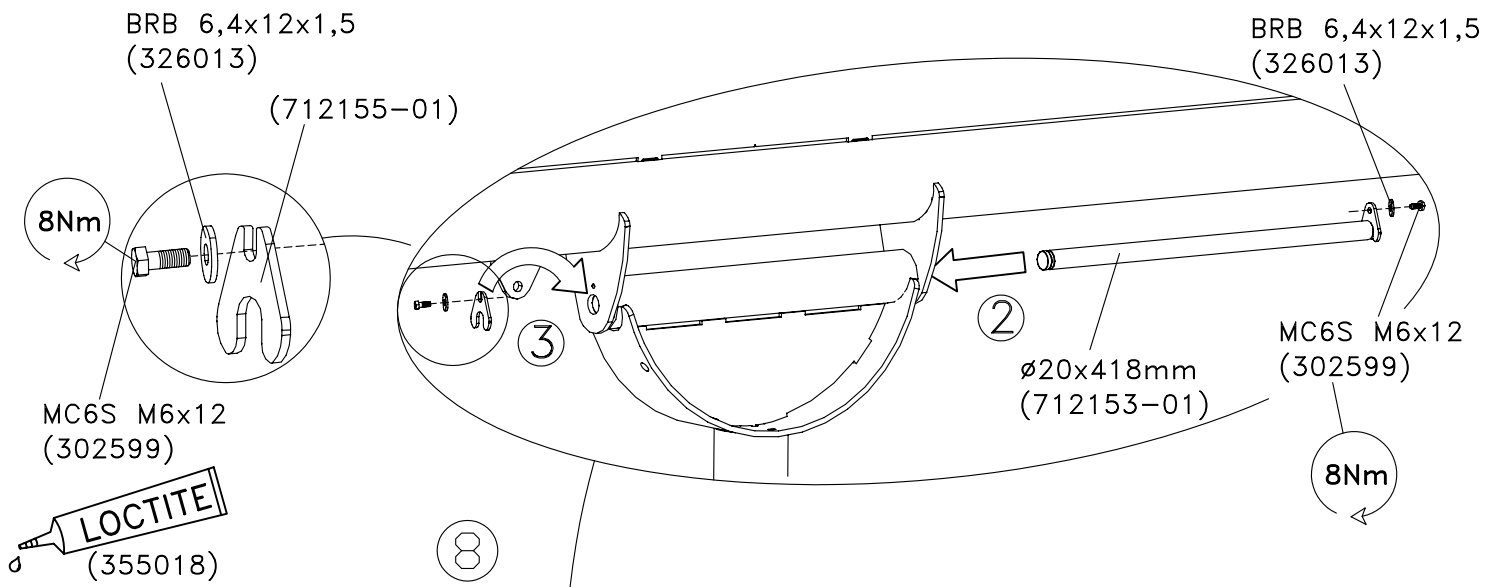
**HAGS** ANEBY, SWEDEN  
+46(0)380-47300  
www.hags.com

Cyklon  
142 723 OM  
2(5)

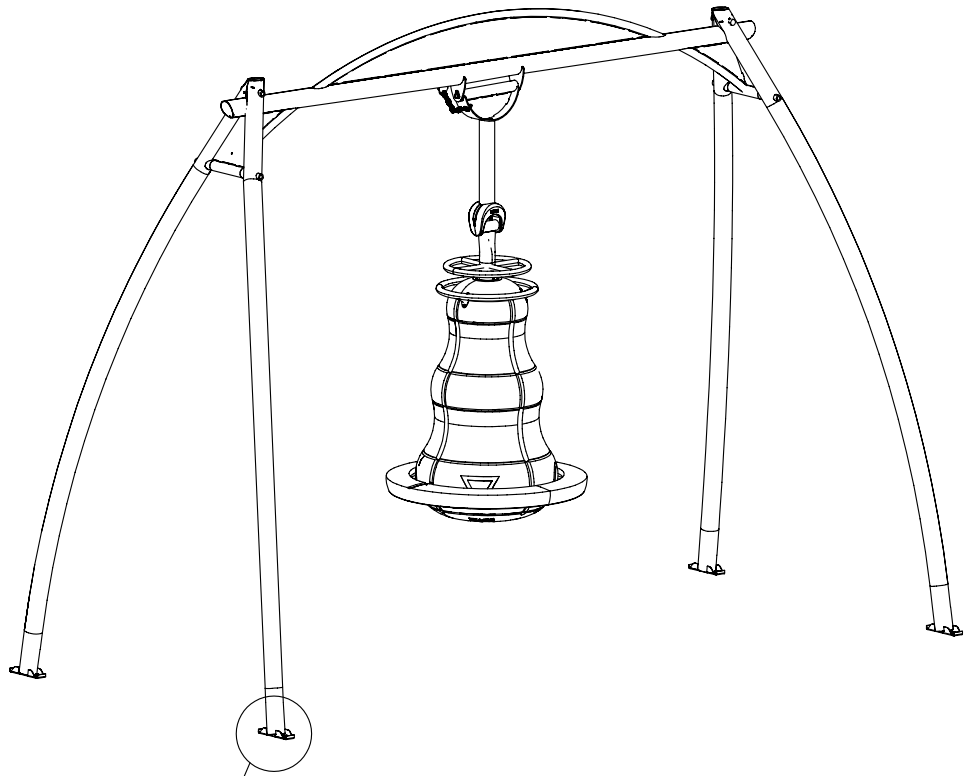
MN NN 2009-09-11 5



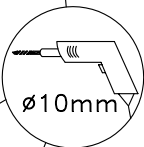
<b>HAGS</b>		ANEBY, SWEDEN +46(0)380-47300 www.hags.com	
Cyklon			
142 723 OM			
3(5)			
	MN		NN   2009-09-11   5



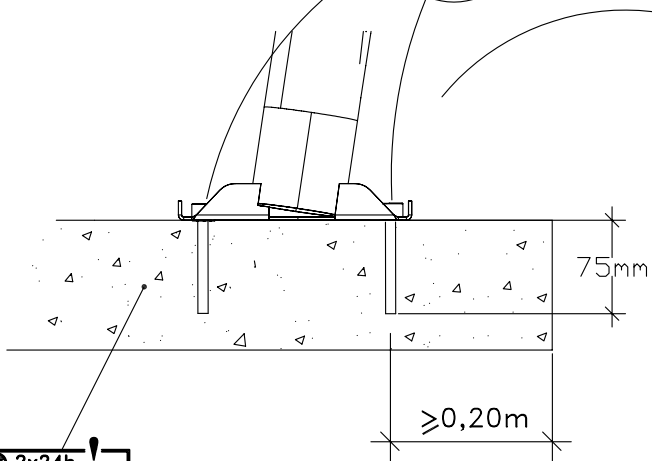
<b>HAGS</b>		ANEBY, SWEDEN	
		+46(0)380-47300	
		www.hags.com	
Cyklon			
142 723 OM			
4(5)			
🏠	MN	👁️	NN
2009-09-11		5	



(4x)



$\varnothing 10\text{mm}$



75mm

$\geq 0,20\text{m}$

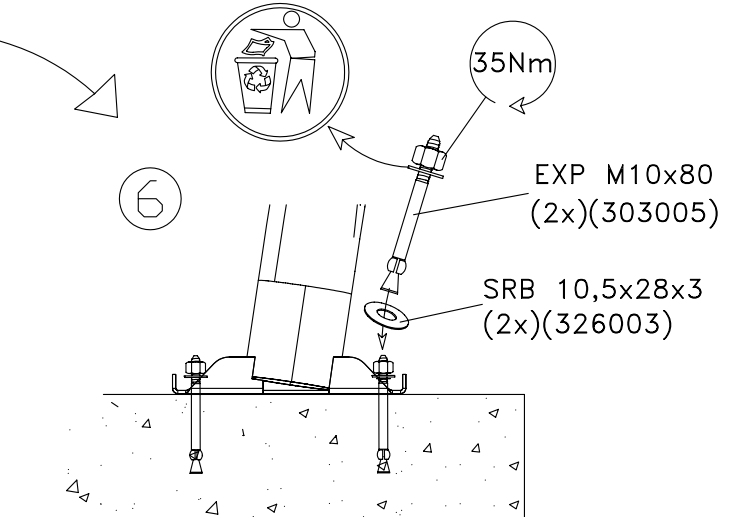


35Nm

6

EXP M10x80  
(2x)(303005)

SRB 10,5x28x3  
(2x)(326003)



2x24h !

>C20/25  
S1-S3

101

**HAGS** ANEBY, SWEDEN  
+46(0)380-47300  
www.hags.com

Cyklon  
142 723 OM  
5(5)

MN NN 2009-09-11 5