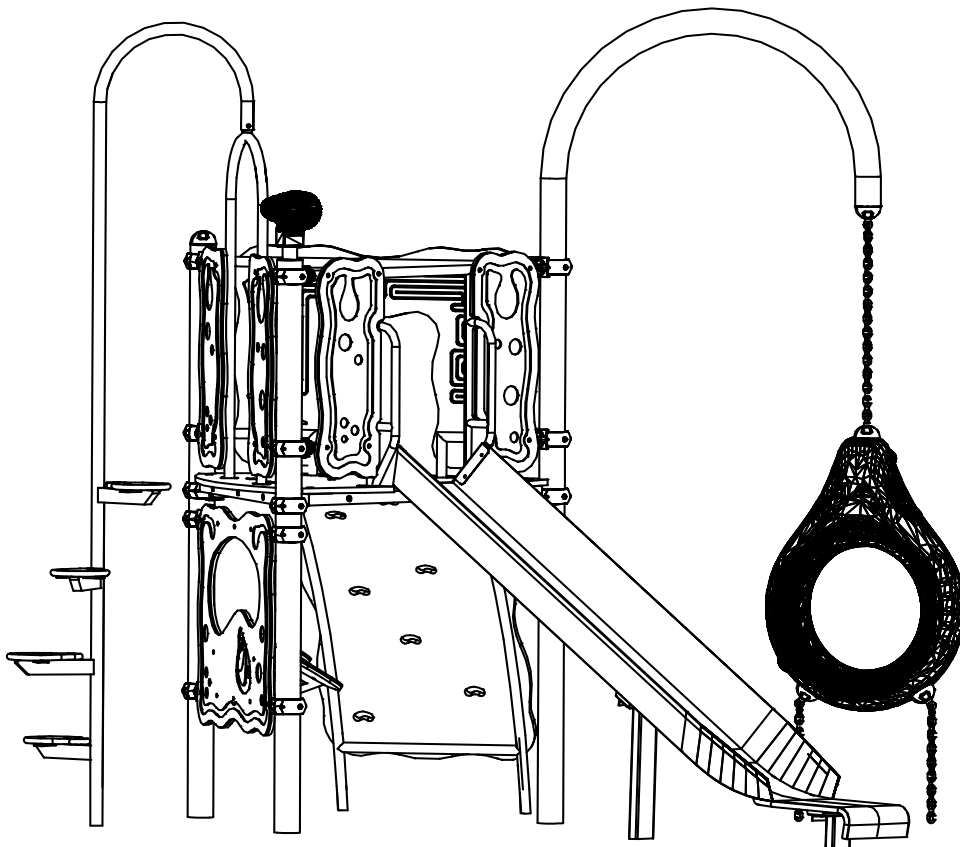
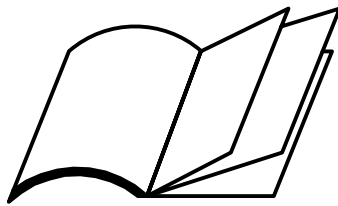


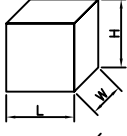
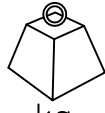

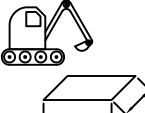
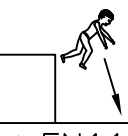

HAGS

ZINGO UNU

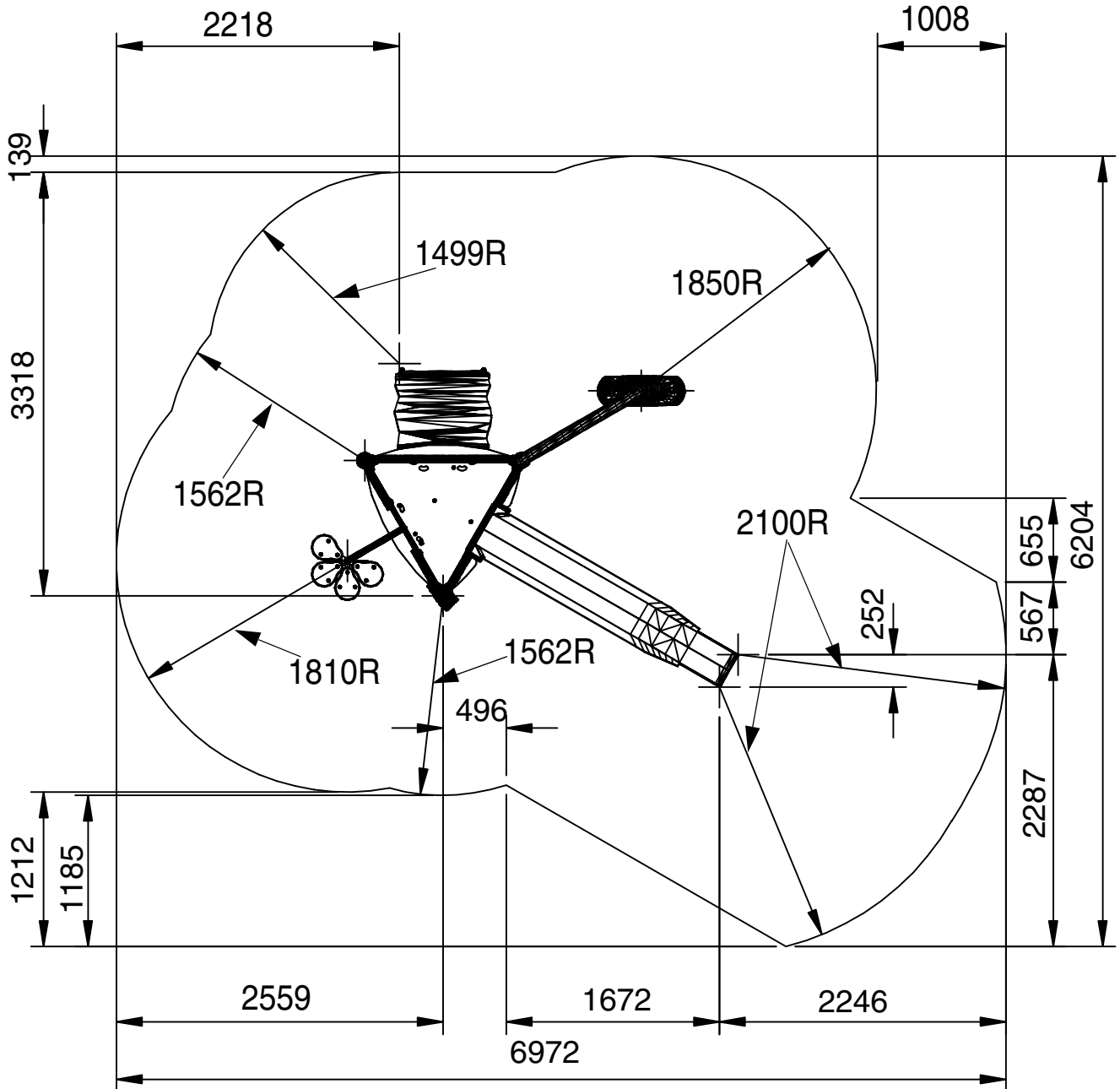
X-001/S, X-001/SD, X-001/P & X-001/PD



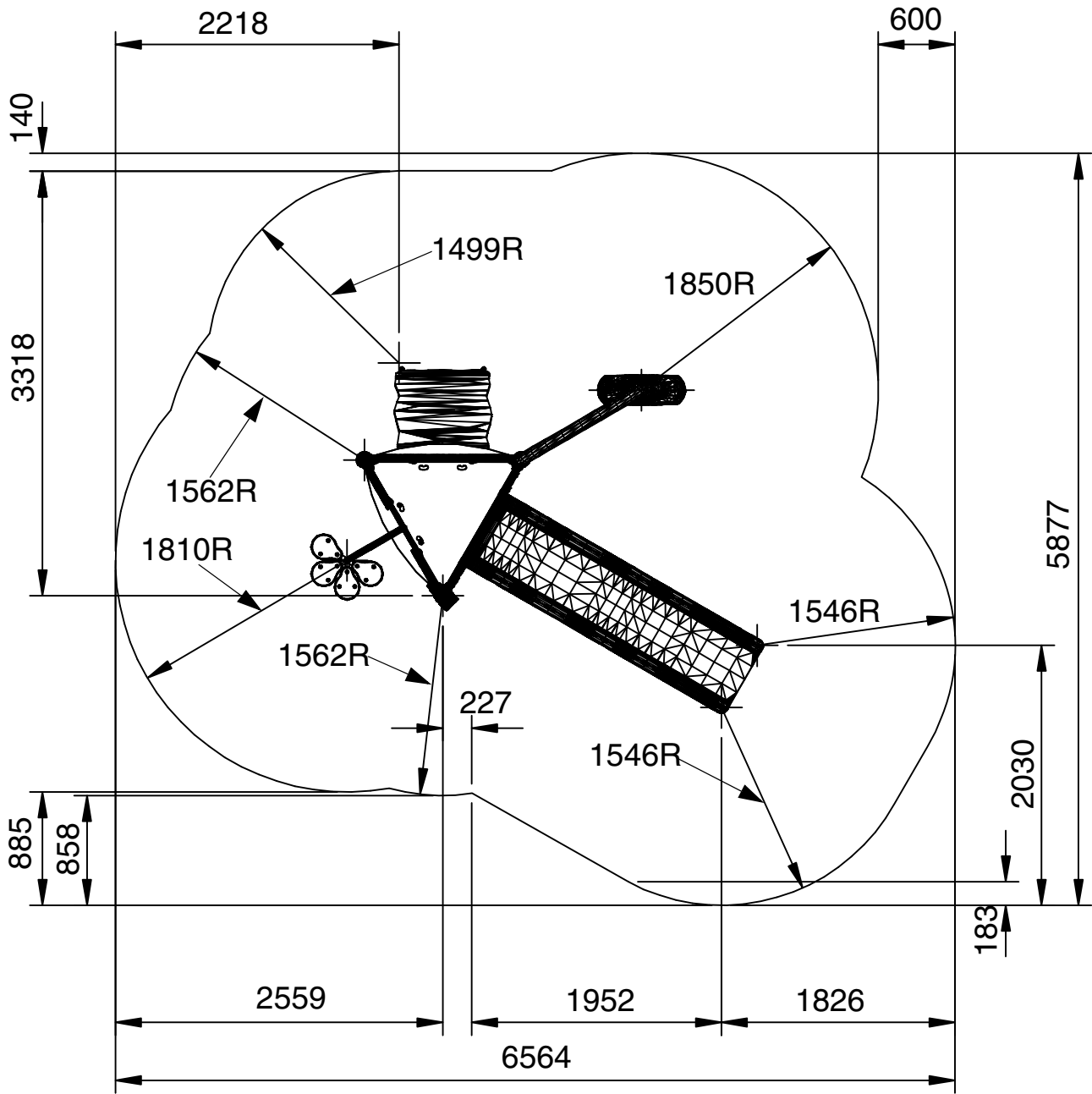


	 LxWxH (m)	 kg	 m ³	 m	 ≥EN1176	 x 3= T
X-001/S	3.37 x 2.50 x 2.84	329	1.04	9.00 x 8.00	1.2m	62h
X-001/P	3.56 x 2.74 x 2.84	384	1.02			

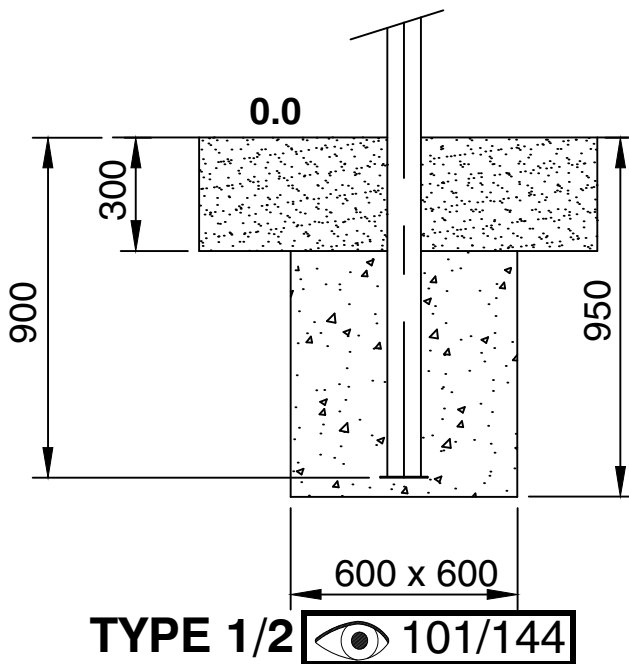
X-001/S



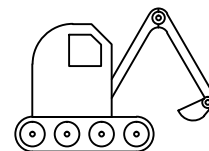
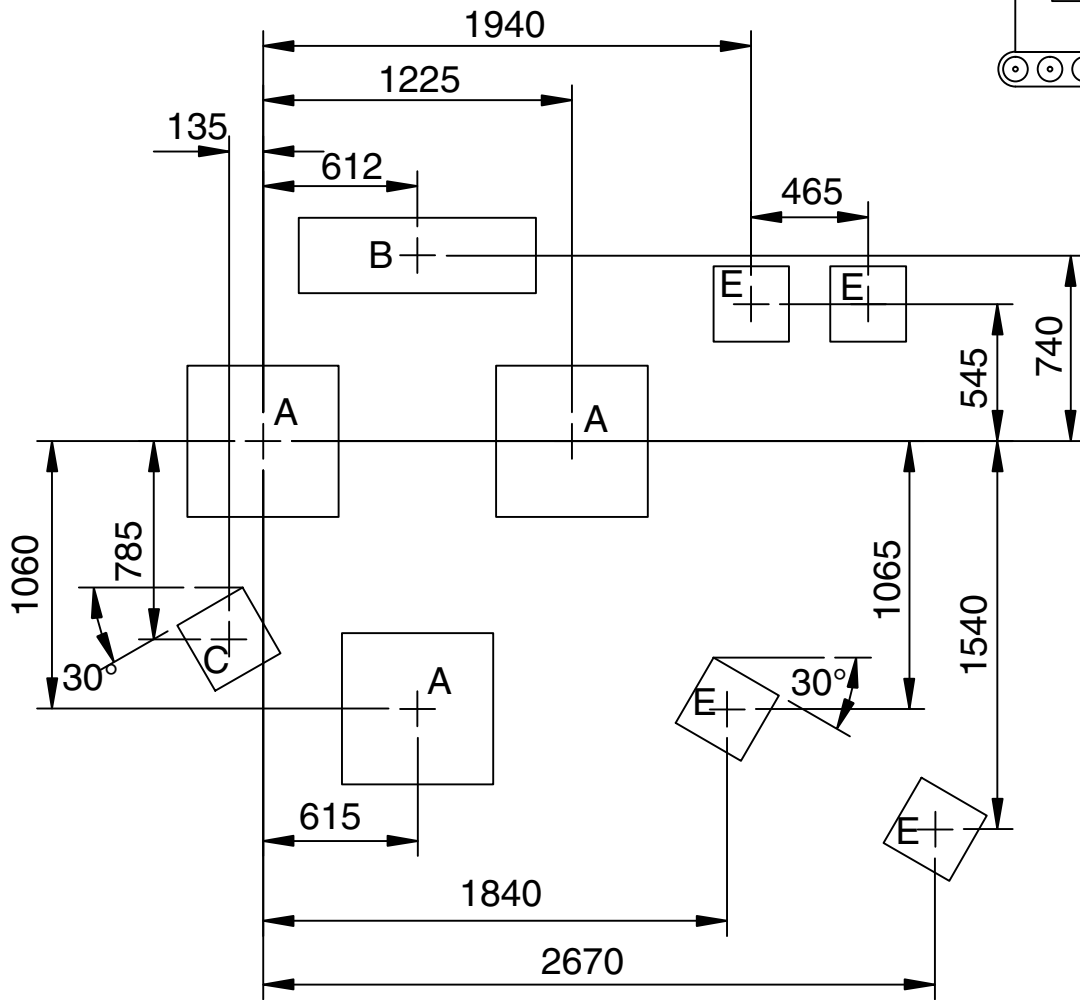
X-001/P



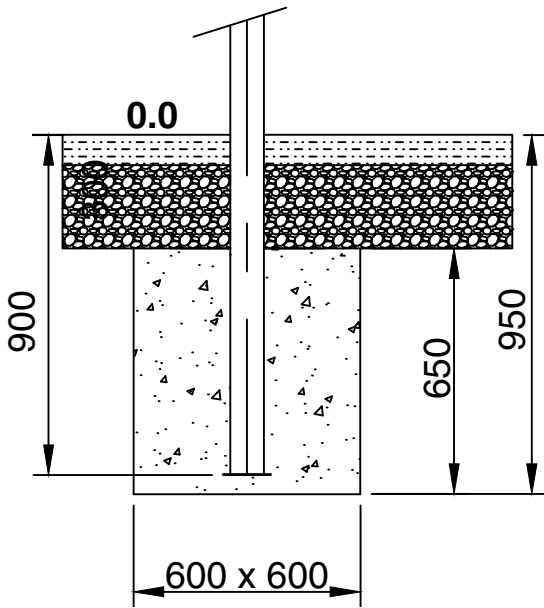
X-001/S



REF		L x W x D (m)
'A'	m	0.60 x 0.60 x 0.95
'B'	m	0.94 x 0.30 x 0.70
'C'	m	0.50 x 0.50 x 0.70
'D'	m	0.30 x 0.30 x 0.80
'E'	m	0.30 x 0.30 x 0.65

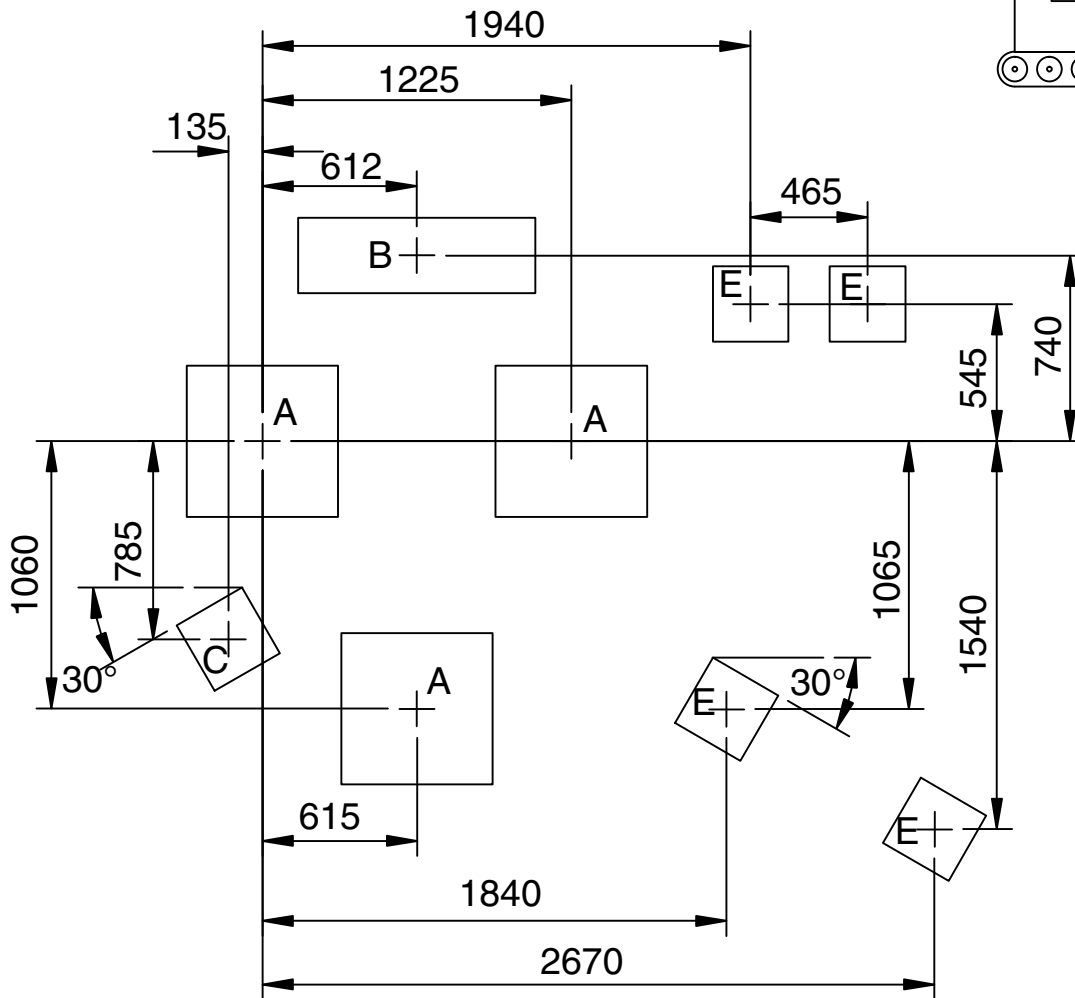
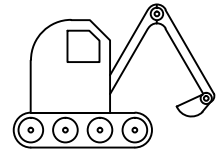


X-001/S

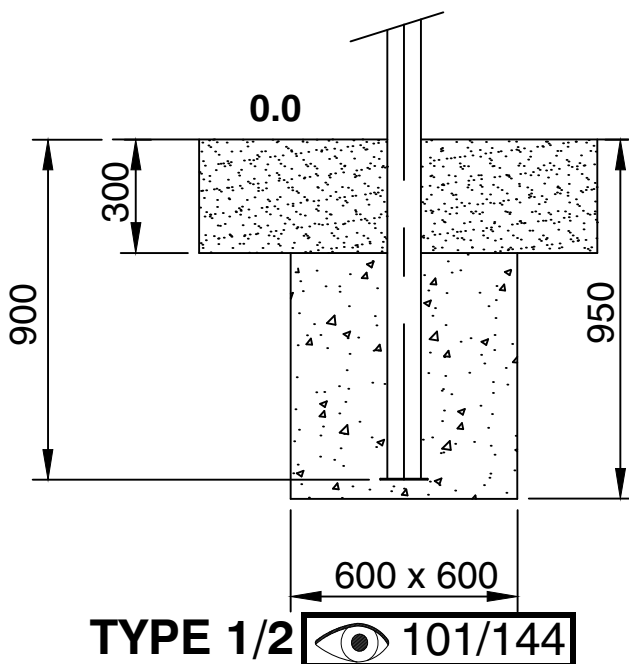


REF		L x W x D (m)
'A'	m	0.60 x 0.60 x 0.95
'B'	m	0.94 x 0.30 x 0.70
'C'	m	0.50 x 0.50 x 0.70
'D'	m	0.30 x 0.30 x 0.80
'E'	m	0.30 x 0.30 x 0.65

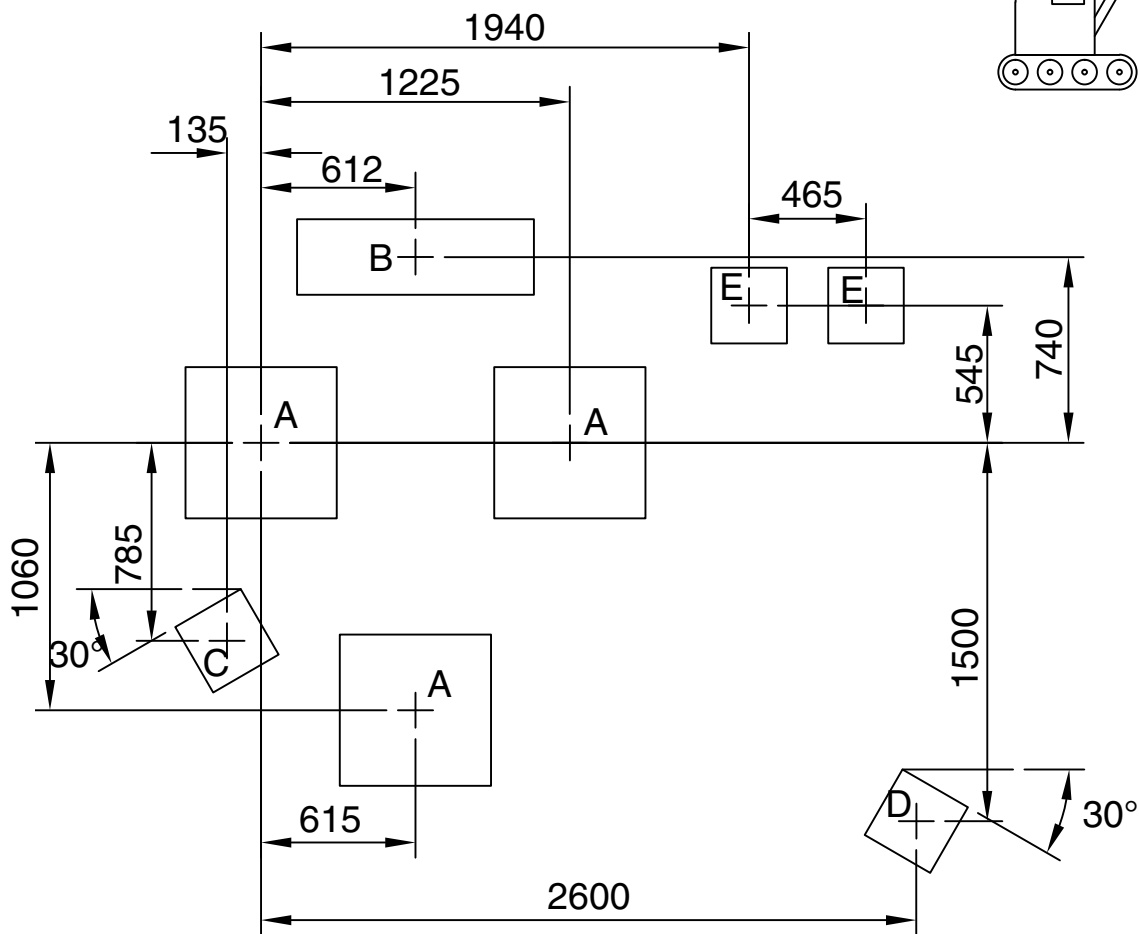
TYPE 3  101/144



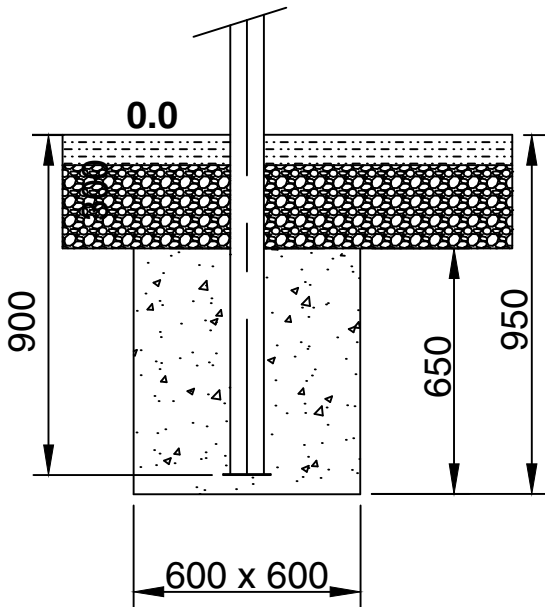
X-001/P



REF		L x W x D (m)
'A'	m	0.60 x 0.60 x 0.95
'B'	m	0.94 x 0.30 x 0.70
'C'	m	0.50 x 0.50 x 0.70
'D'	m	0.30 x 0.30 x 0.80
'E'	m	0.30 x 0.30 x 0.65

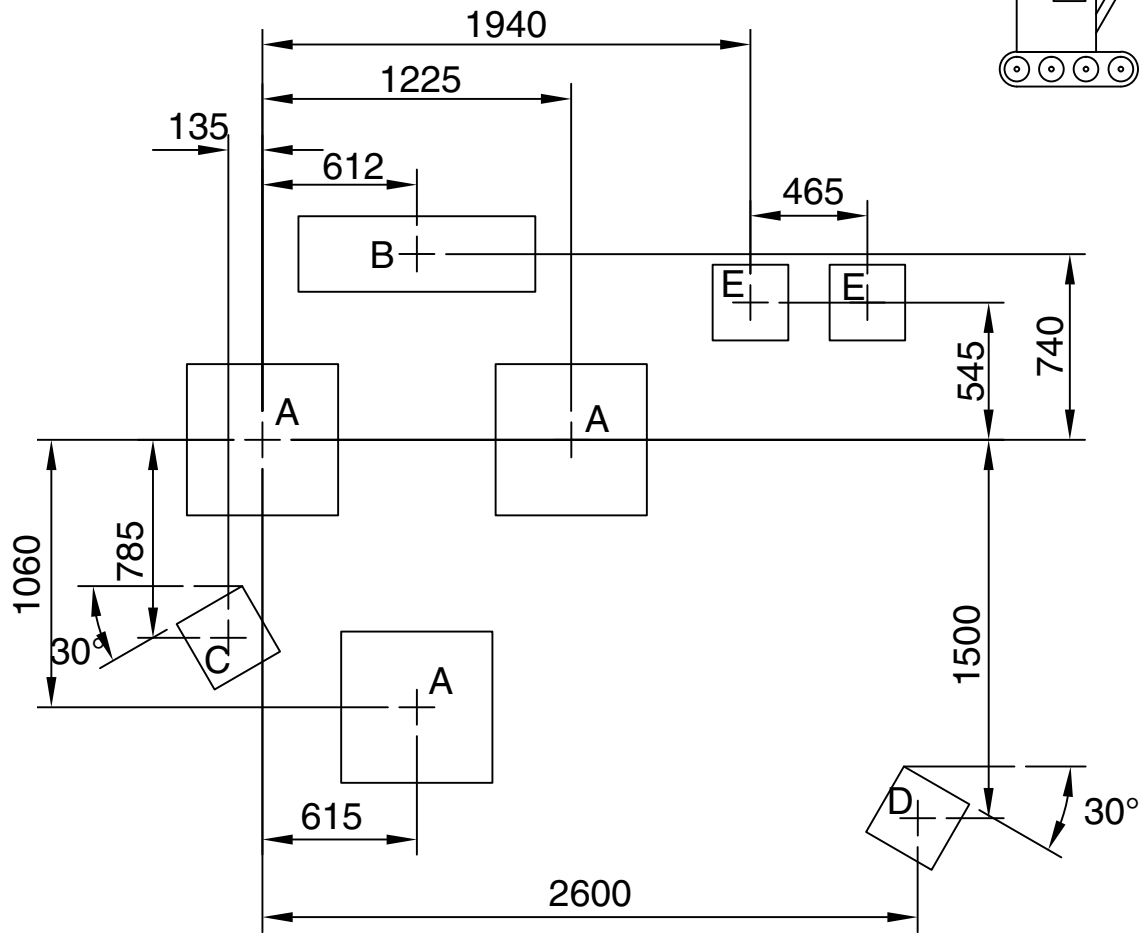


X-001/P

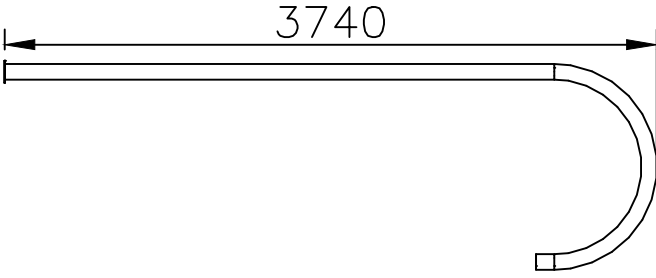
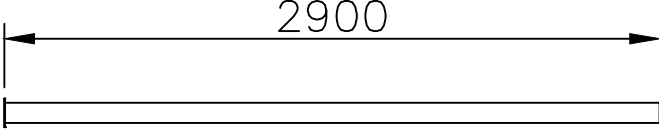
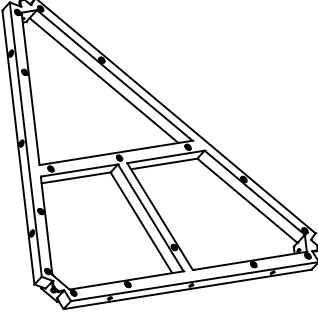
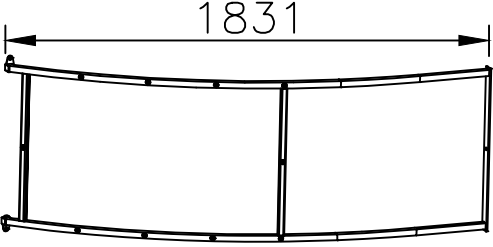
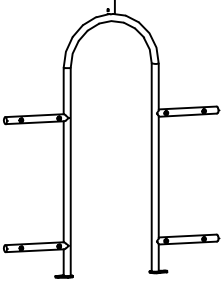
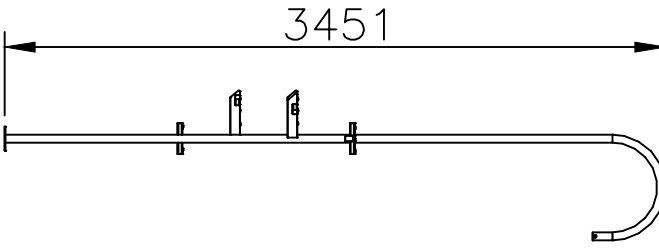


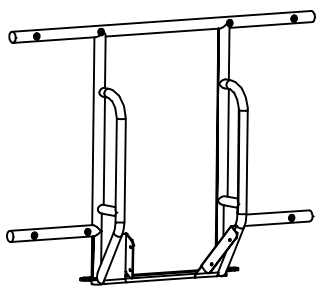
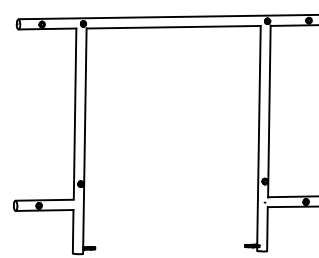
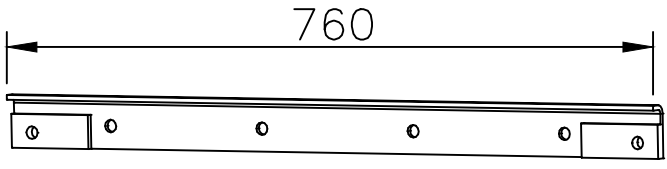
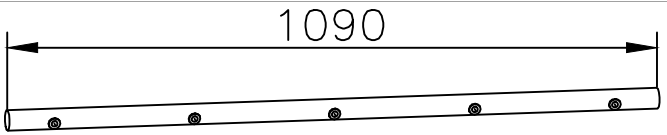
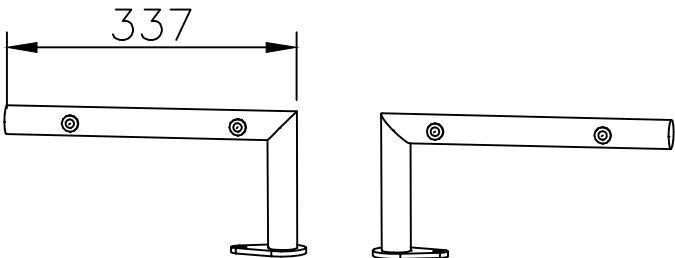
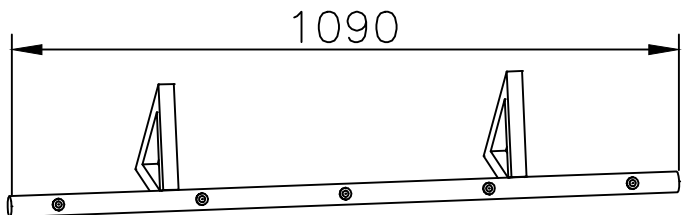
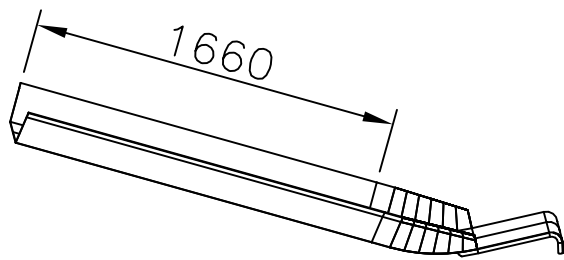
REF		L x W x D (m)
'A'	m	0.60 x 0.60 x 0.95
'B'	m	0.94 x 0.30 x 0.70
'C'	m	0.50 x 0.50 x 0.70
'D'	m	0.30 x 0.30 x 0.80
'E'	m	0.30 x 0.30 x 0.65

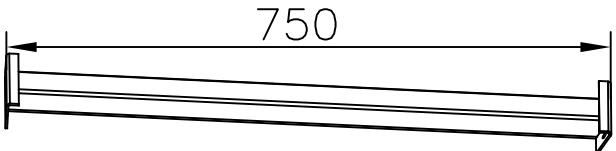
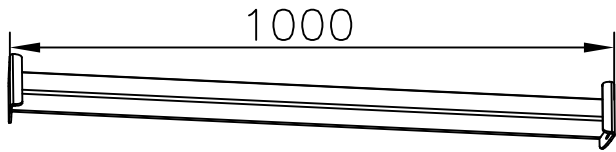
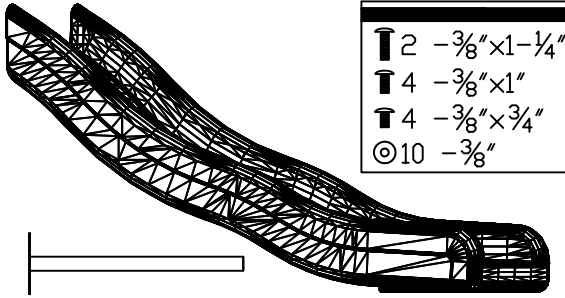
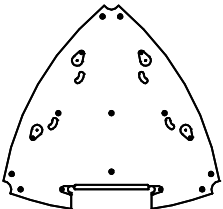
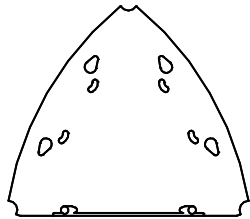
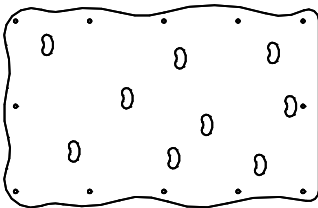
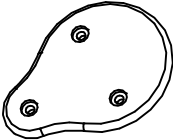
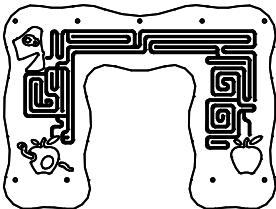
TYPE 3  101/144

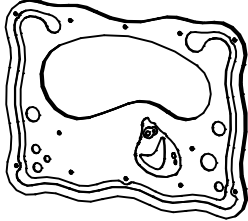
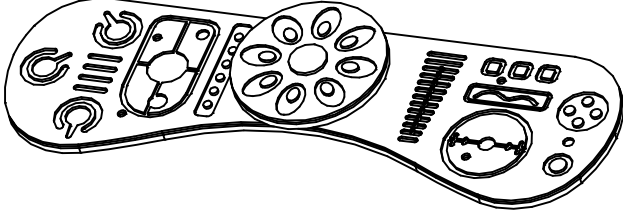
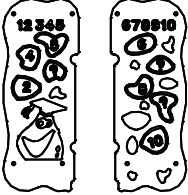
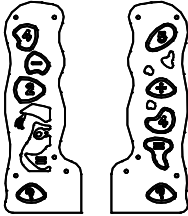
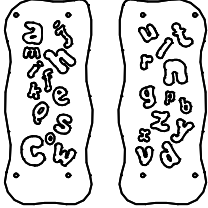
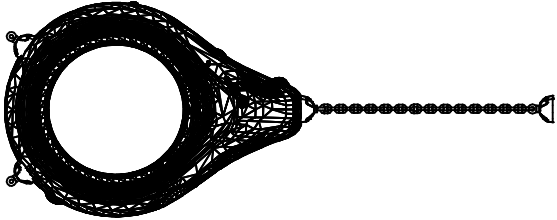
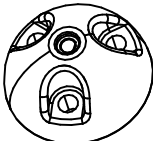

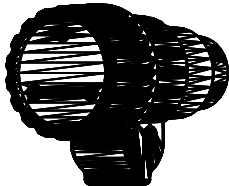


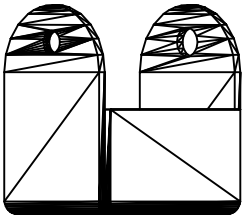
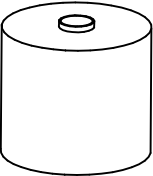
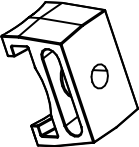
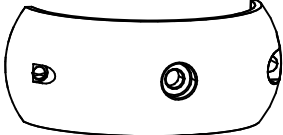
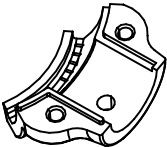

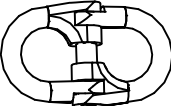

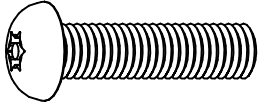

PARTS LIST

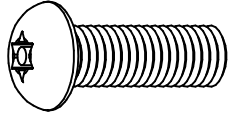
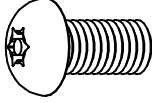

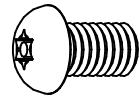
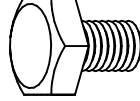
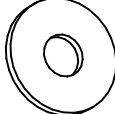
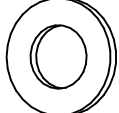
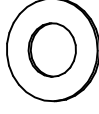
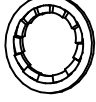
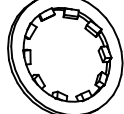
ITEM	REF		X-001/S	X-001/P	kg
1	55003740		1		50.00
2	55012900		2		30.00
3	55041225		1		15.00
4	55021809		1		11.00
5	55021401		1		10.00
6	55021411		1		15.50

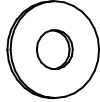
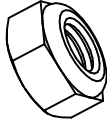
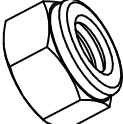
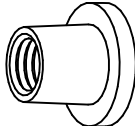

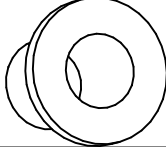
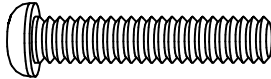
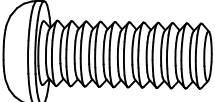
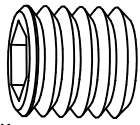
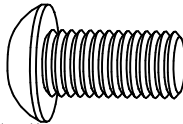
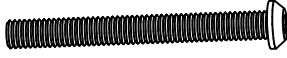
ITEM	REF		X-001/S	X-001/P	kg
7	55021200		1		10.00
8	55021300			1	7.50
9	55021301			1	3.00
10	55021082		2		2.50
11	55020332		1 SET		2.00
12	55021087		1		5.00
13	45031200		1		30.00

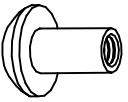
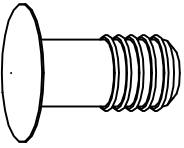
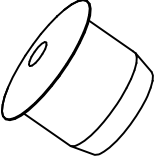
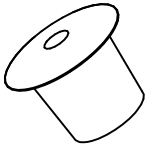
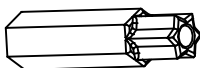
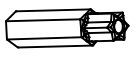
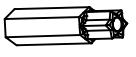
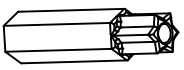
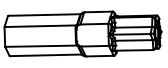
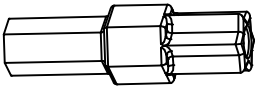
ITEM	REF		X-001/S	X-001/P	kg
14	70032701		1		4.50
15	45039001		1		5.80
16	55081200			1	91.00
17	55090040		1		16.00
18	55090050			1	16.00
19	55090090			1	11.00
20	55090601			4	1.00
21	55090209			1	9.00

ITEM	REF		X-001/S	X-001/P	kg
22	55090401		1		10.00
23	55090402		1		6.00
24	55090501		1		8.00
25	55090503			1	6.00
26	55090611		1		8.00
27	55062010		1		12.00
28	55030199		1		0.50
29	38008027		2		1.50
30	55080010		1		0.50

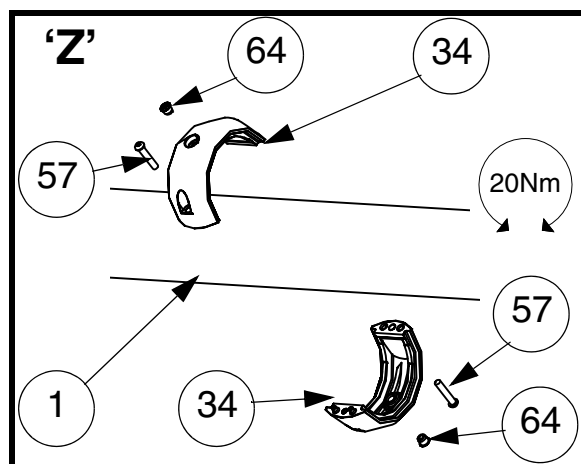
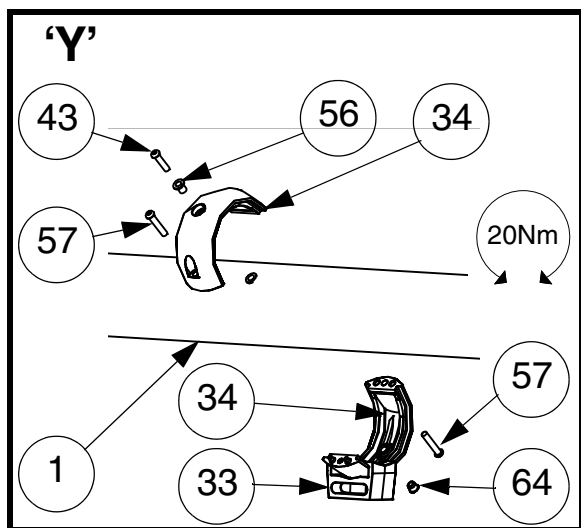
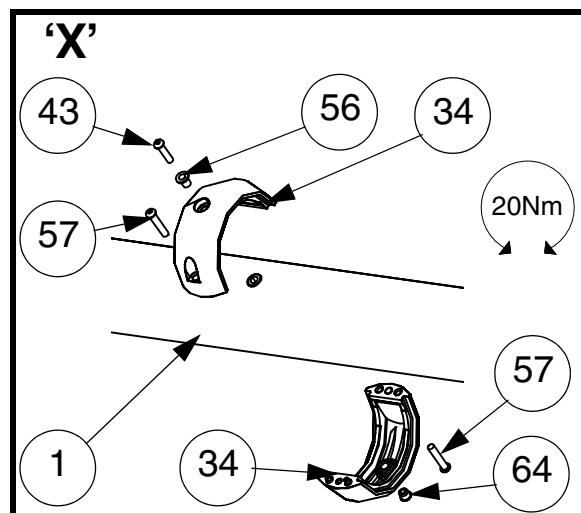
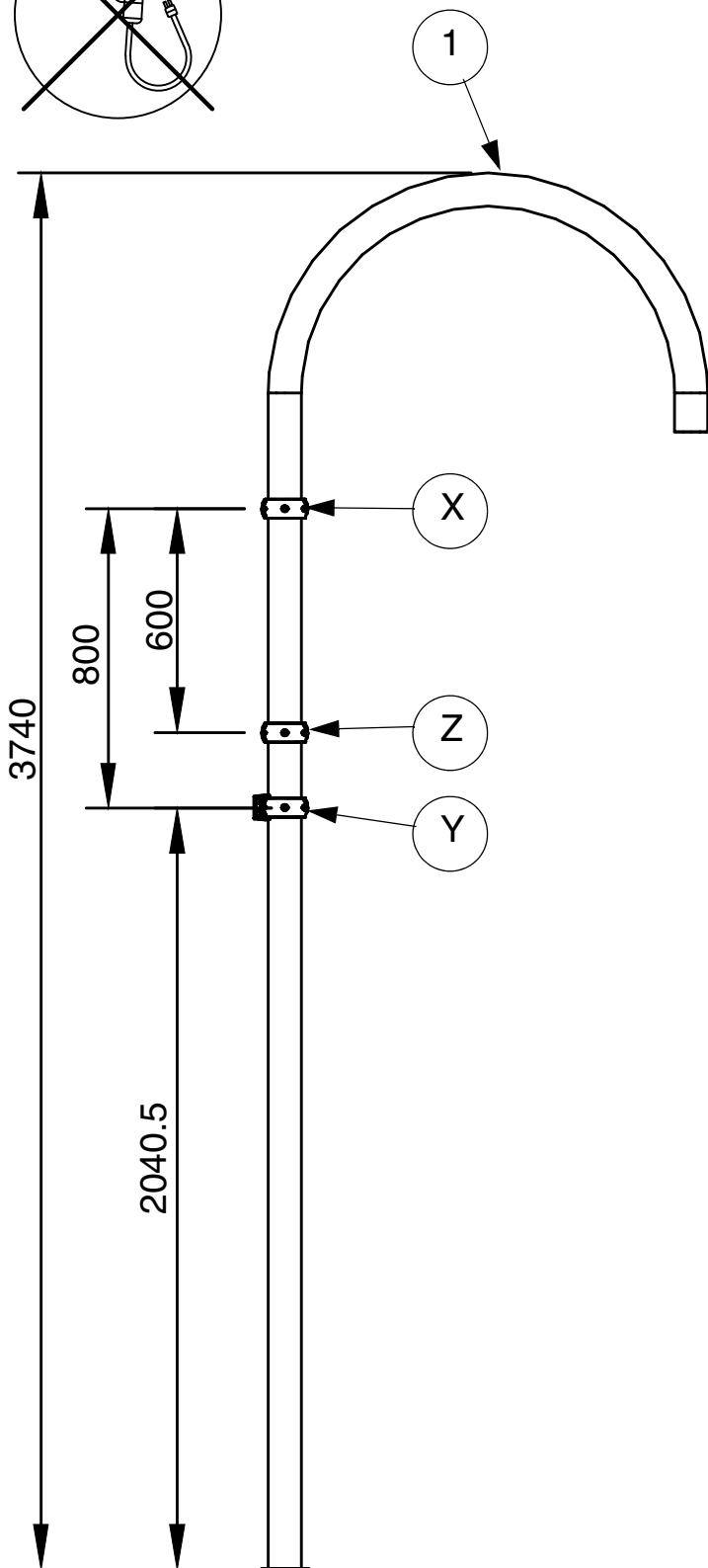
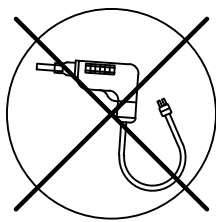
ITEM	REF		X-001/S	X-001/P	kg
31	55080011		1		0.50
32	55080012		1		0.25
33	55030899		3		0.15
34	55030799		26		0.20
35	55030399		16		0.10
36	55030499		16		0.10
37	15715000		2		0.10
38	10121065	 M10 X 65	1		0.050
39	10121040	 M10 X 40	63		0.037
40	10121035	 M10 X 35	16		0.032

ITEM	REF		X-001/S	X-001/P	kg
41	10121030	 M10 X 30	3	5	0.028
42	10121020	 M10 X 20		8	0.020
43	10120625	 M6 X 25		6	0.011
44	10120610	 M6 X 10	4		0.005
45	10251016	 M10 X 16	4		0.020
46	10309999	 M10 11X30X2.5	4		0.011
47	10291200	 M12 13X24X2.5		1	0.006
48	10291000	 M10 11X21X1	85	87	0.002
49	10301200	 M12 13X20X1		8	0.002
50	10301000	 M10 12X18X1		6	0.002

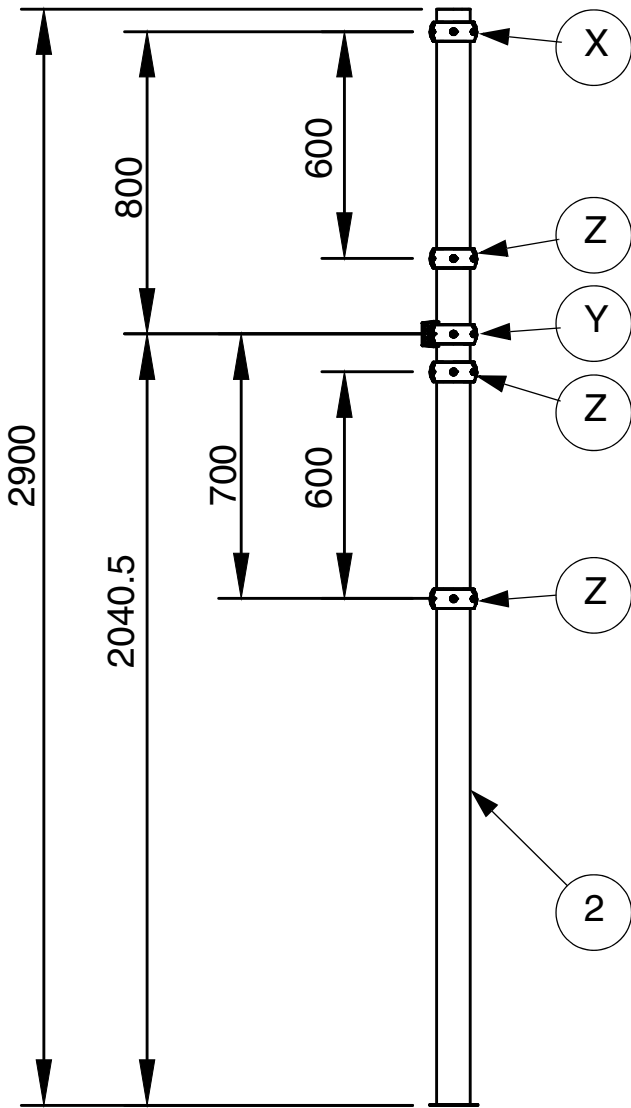
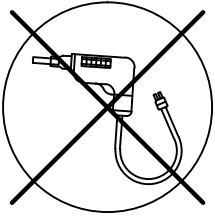
ITEM	REF		X-001/S	X-001/P	kg
51	10303212	 T5 13X32X2.6	3		0.011
52	10261000	 M10	1		0.010
53	10260600	 M6	4		0.002
54	10931000	 M10	8		0.020
55	10304010	 M10 11X40X1.5		2	0.003
56	14104942		6		0.001
57	14104749	 1/4"UNC X 1-1/4"	26		0.007
58	14104750	 1/4"UNC X 5/8"	32		0.005
59	14104285	 3/8"UNC X 3/8"	16		0.003
60	14101225	 1/2" UNC X 1"	3		0.032
61	14104963	 5/16"UNC X 3"	1		0.026

ITEM	REF		X-001/S	X-001/P	kg
62	14110018	 5/16" UNC	1		0.018
63	19024501		10	7	0.001
64	19055030		20		0.001
65	19055040		9		0.001
66	10121000	 T45 M10	4		-
67	10120600	 T30 M6	3		-
68	10120500	 T27 1/4"UNC	2		-
69	10120900	 TX40 5/16"UNC	1		-
70	10121001	 TX50 1/2"UNC	1		-
71	10121100	 T55 5/16"UNC	1		-

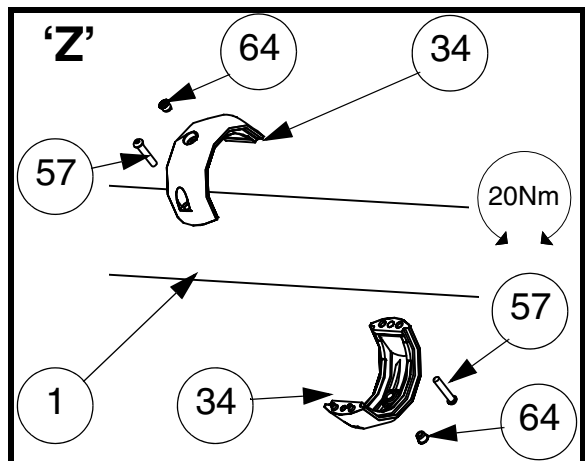
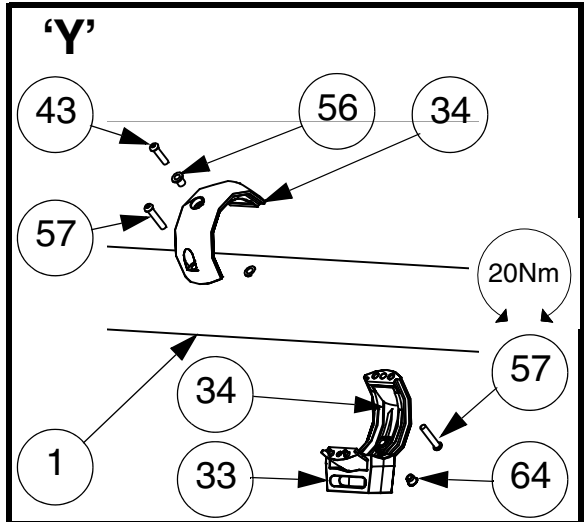
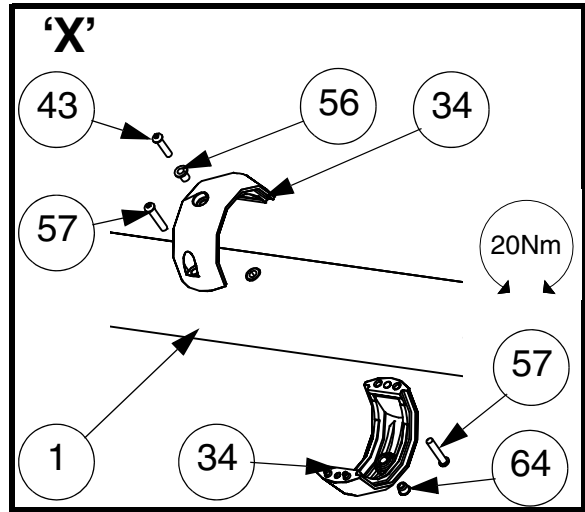
STEP 1



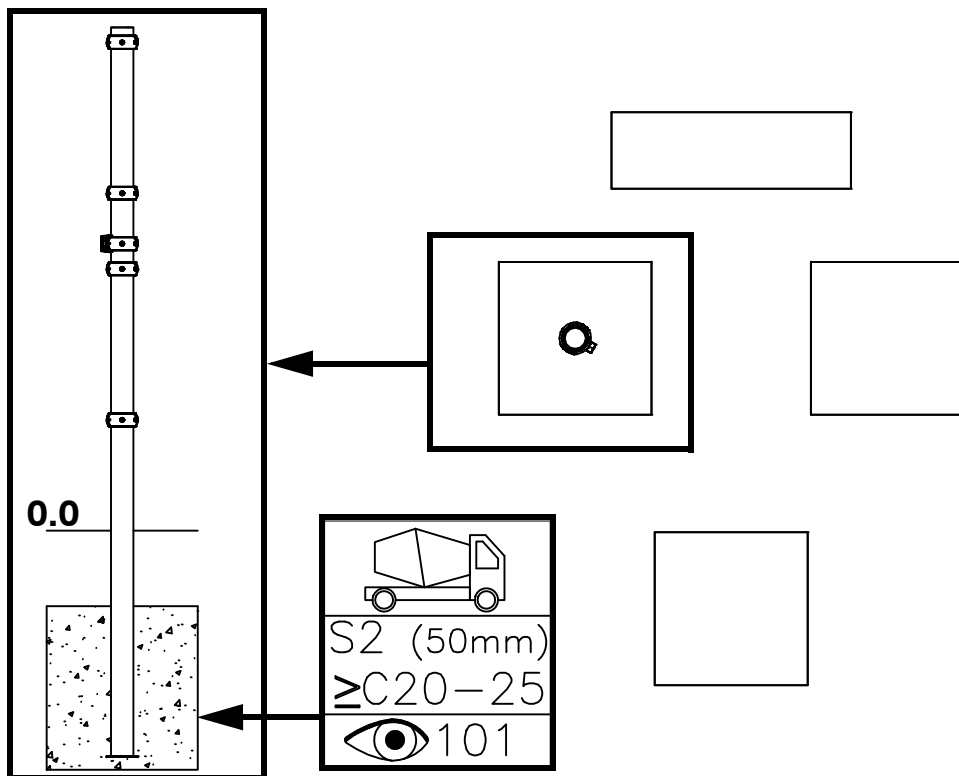
STEP 2



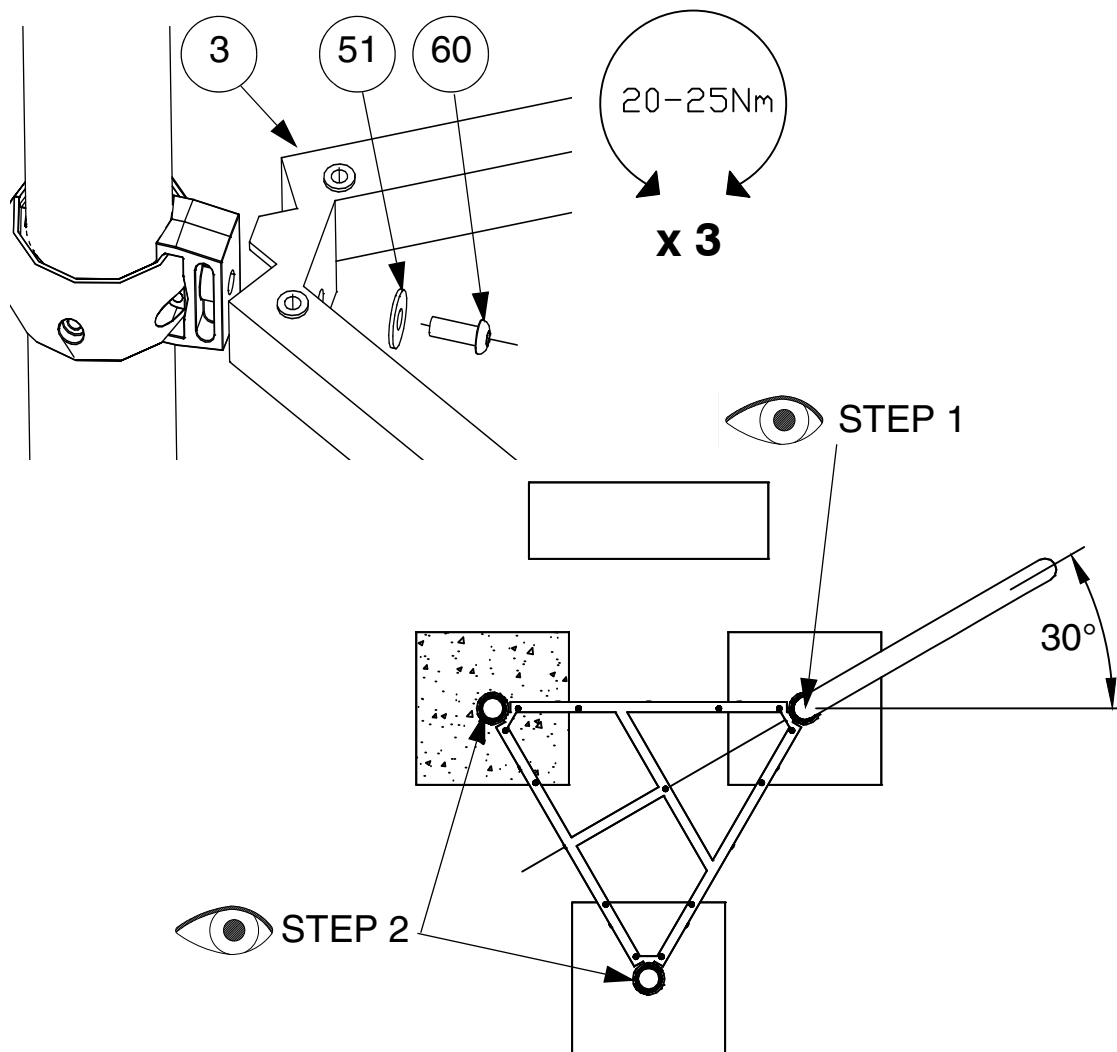
x 2



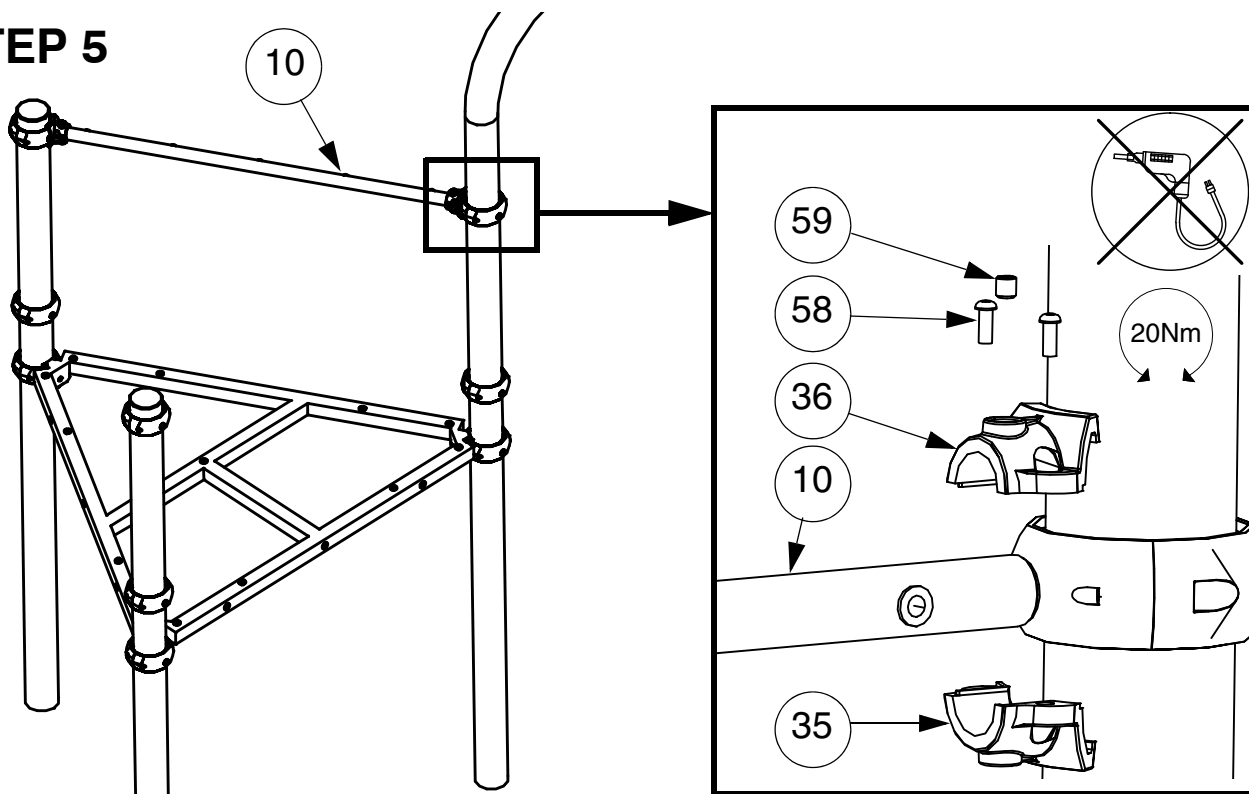
STEP 3



STEP 4

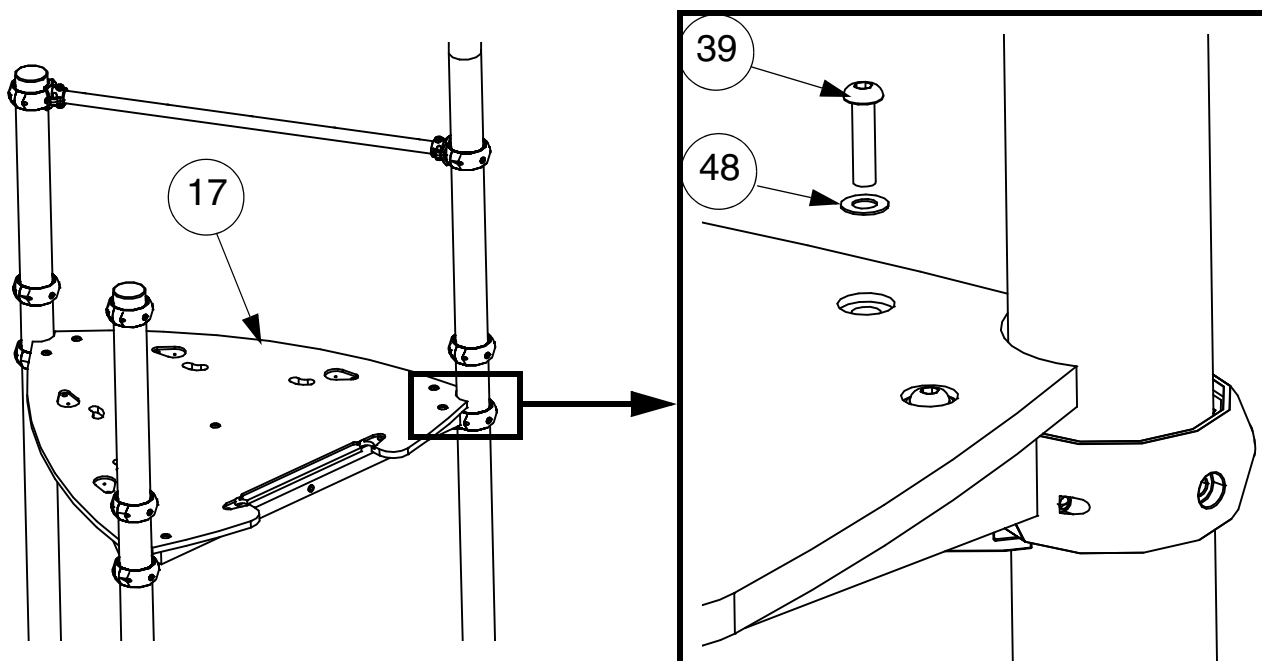


STEP 5

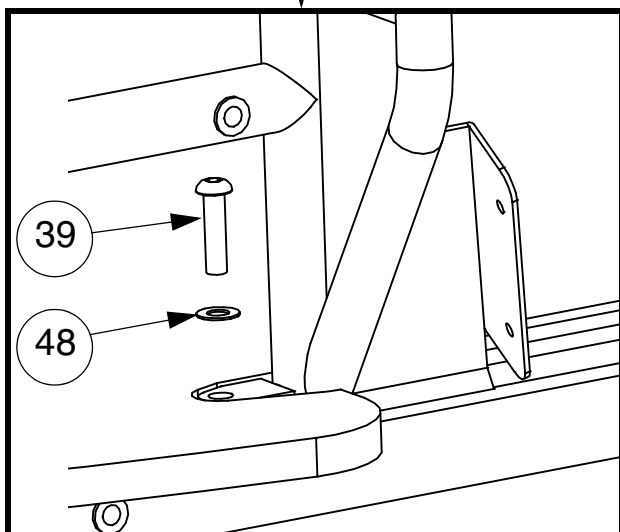
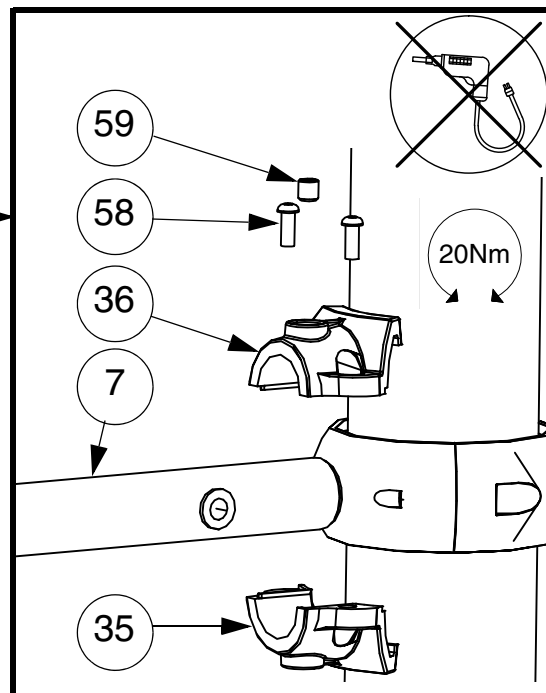
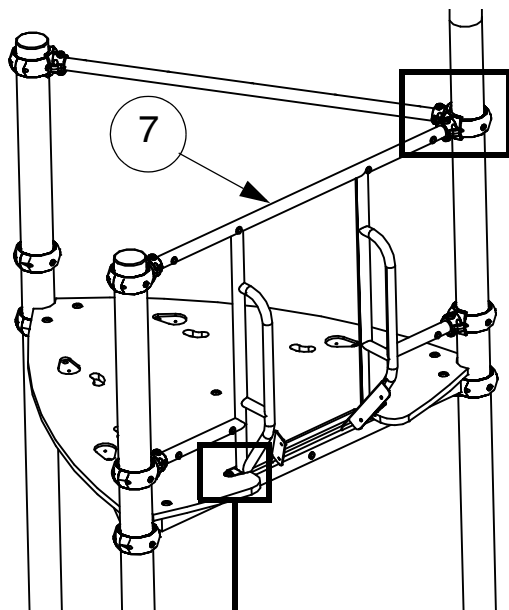


STEP 6

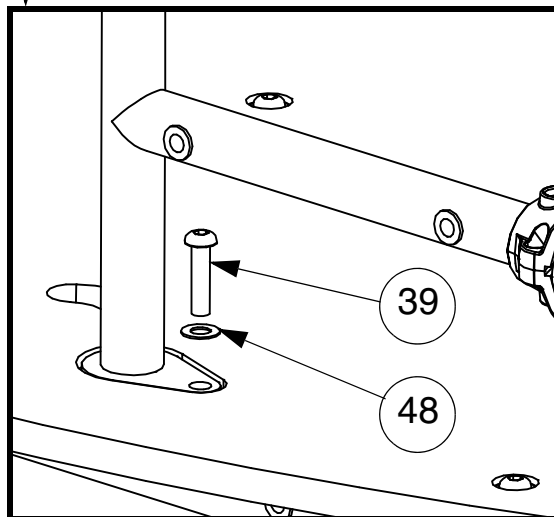
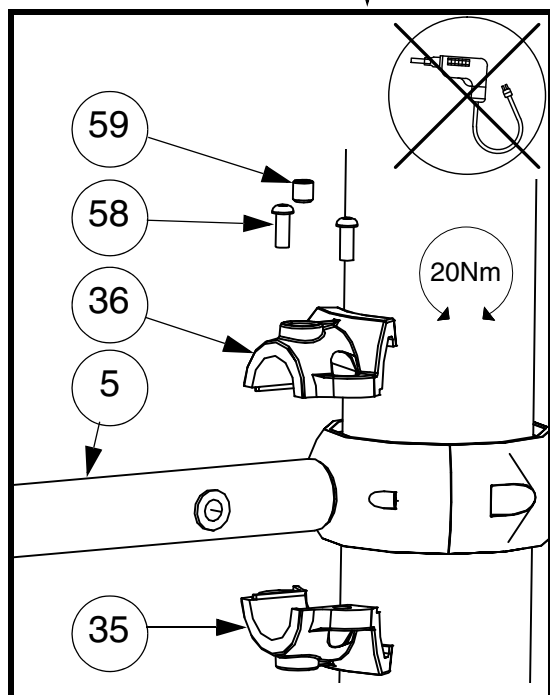
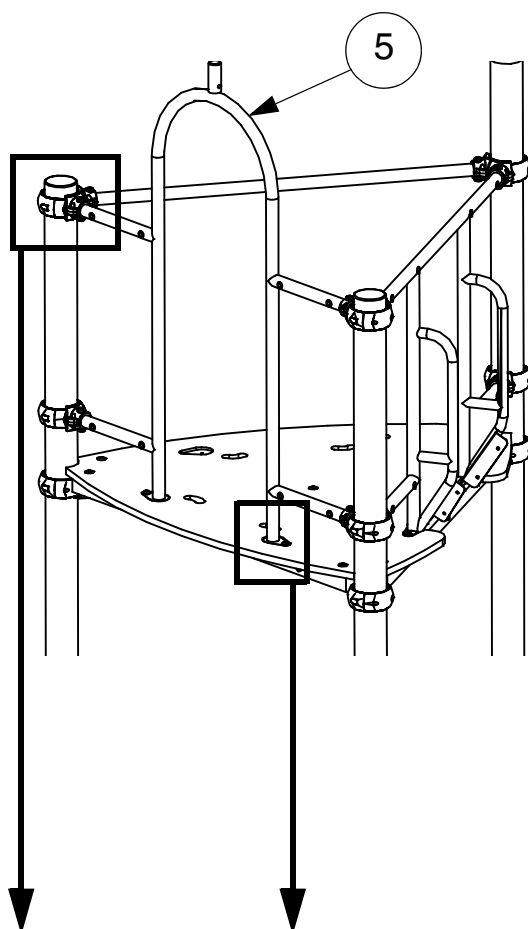
X-001/P   33



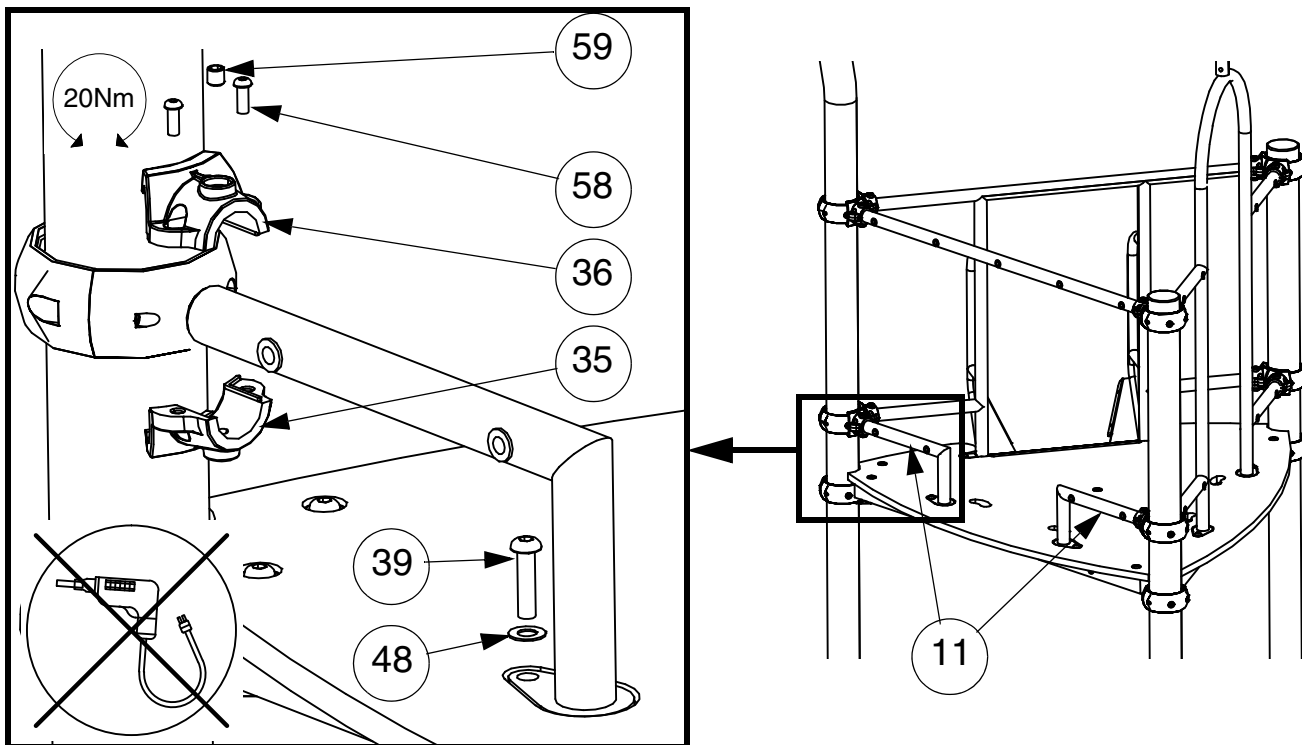
STEP 7



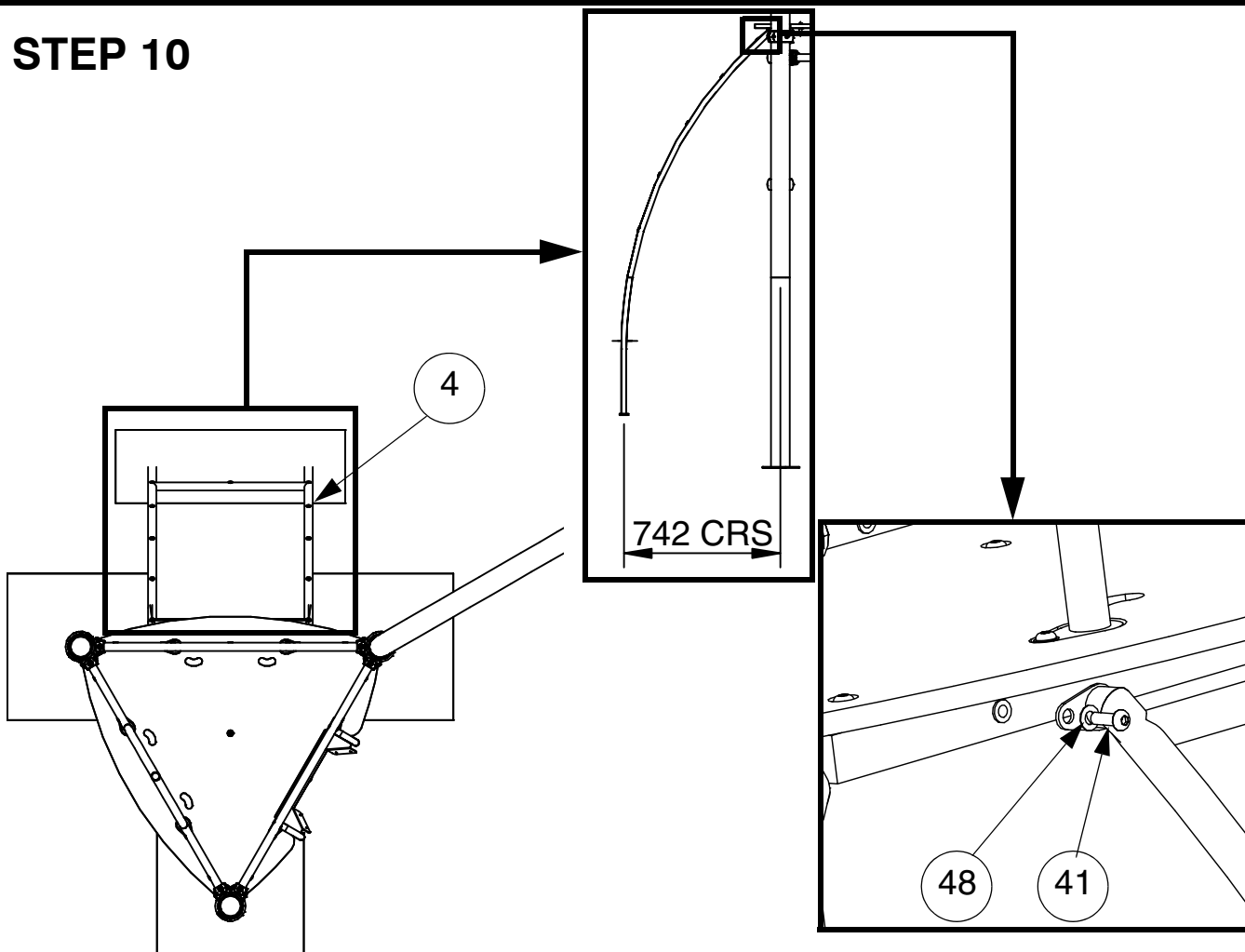
STEP 8



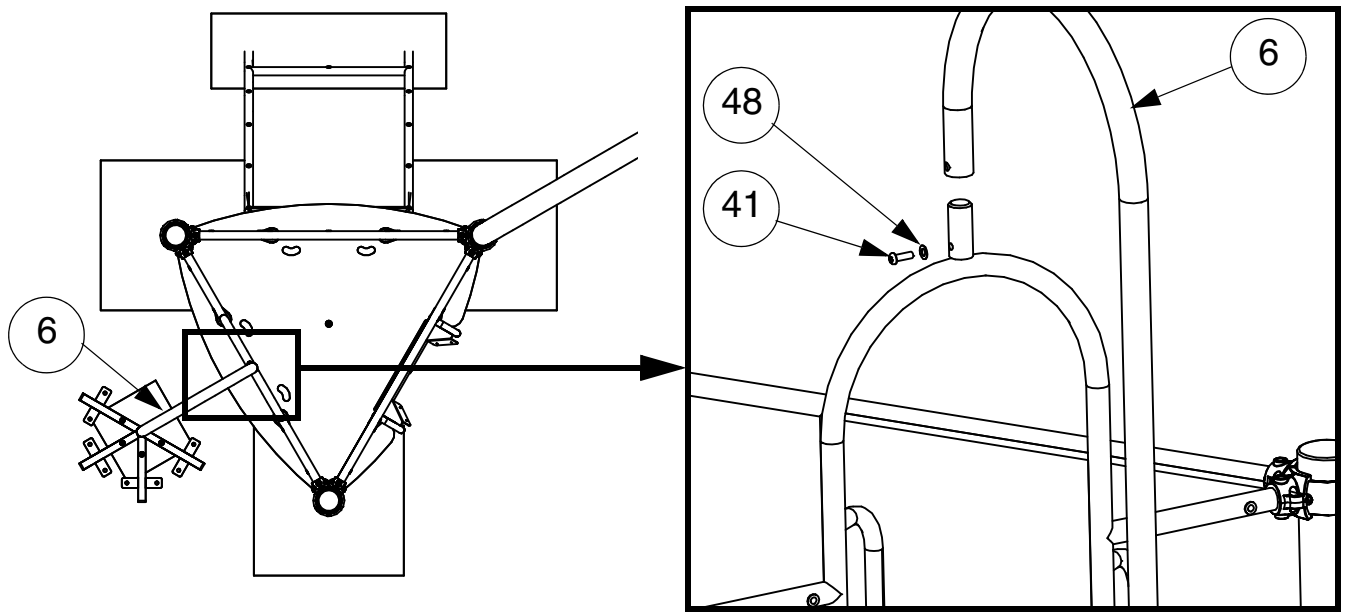
STEP 9



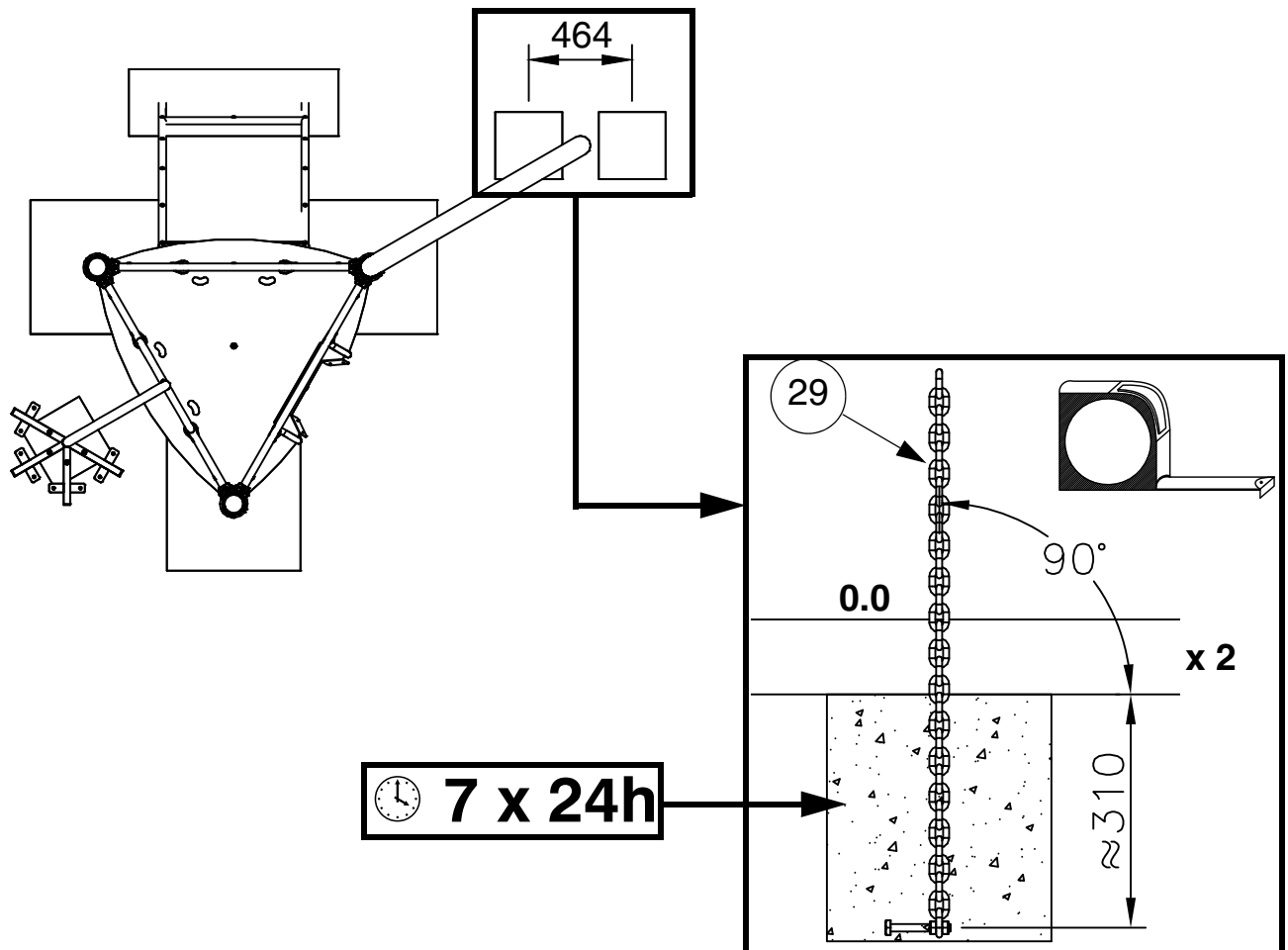
STEP 10



STEP 11

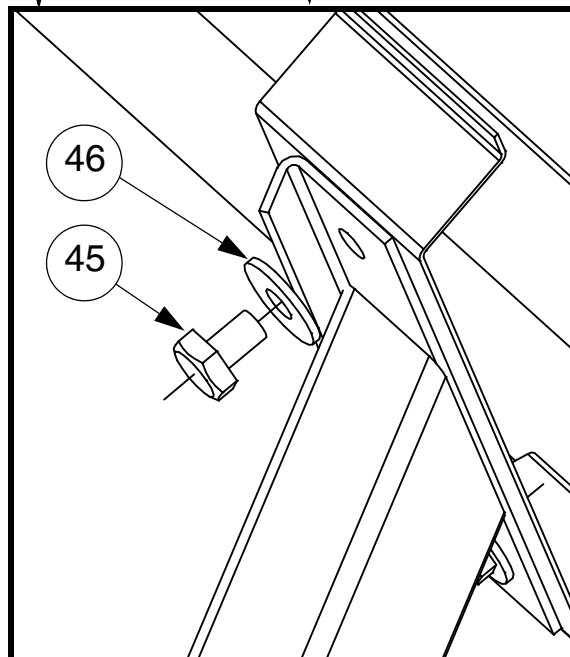
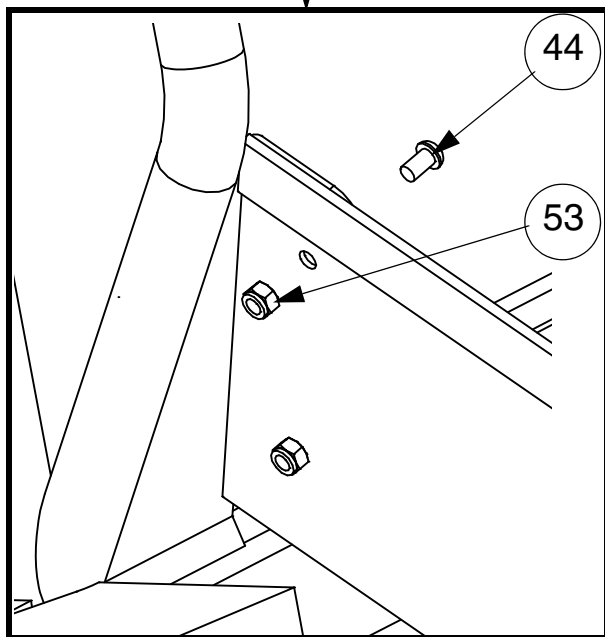
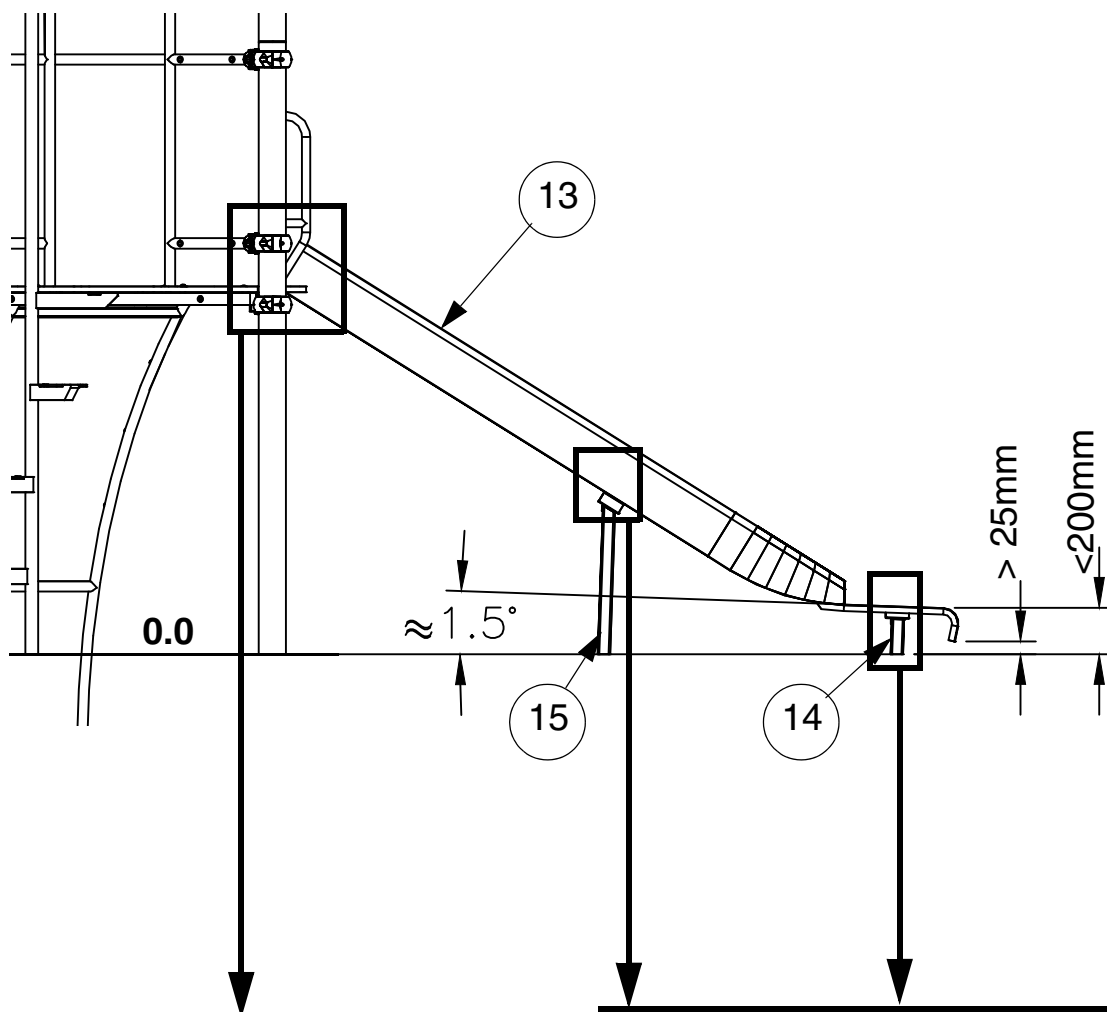


STEP 12

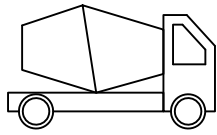


STEP 13

X-001/P   **34**

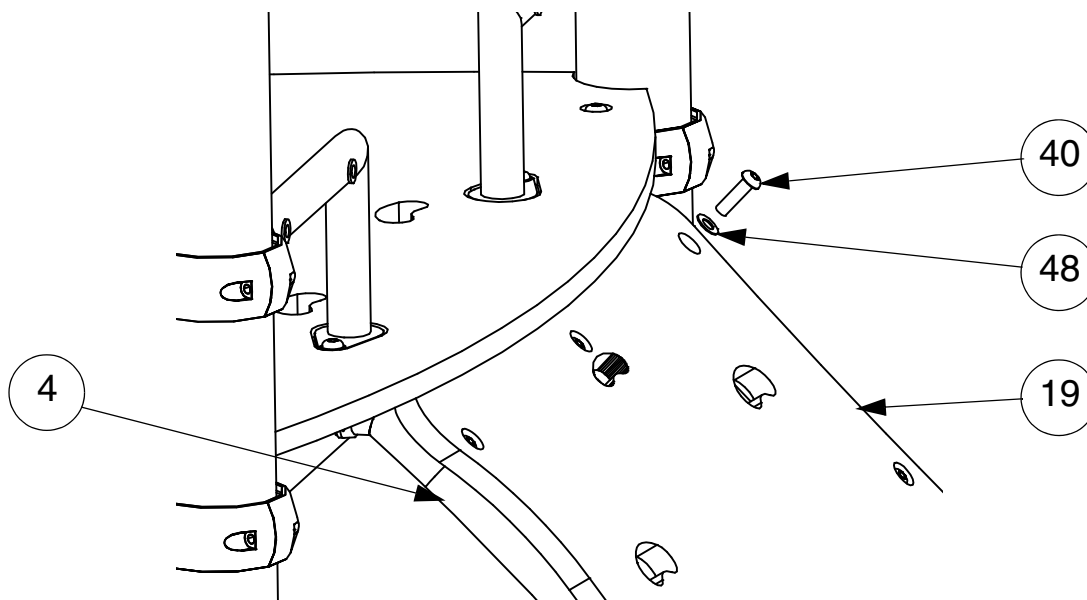


STEP 14

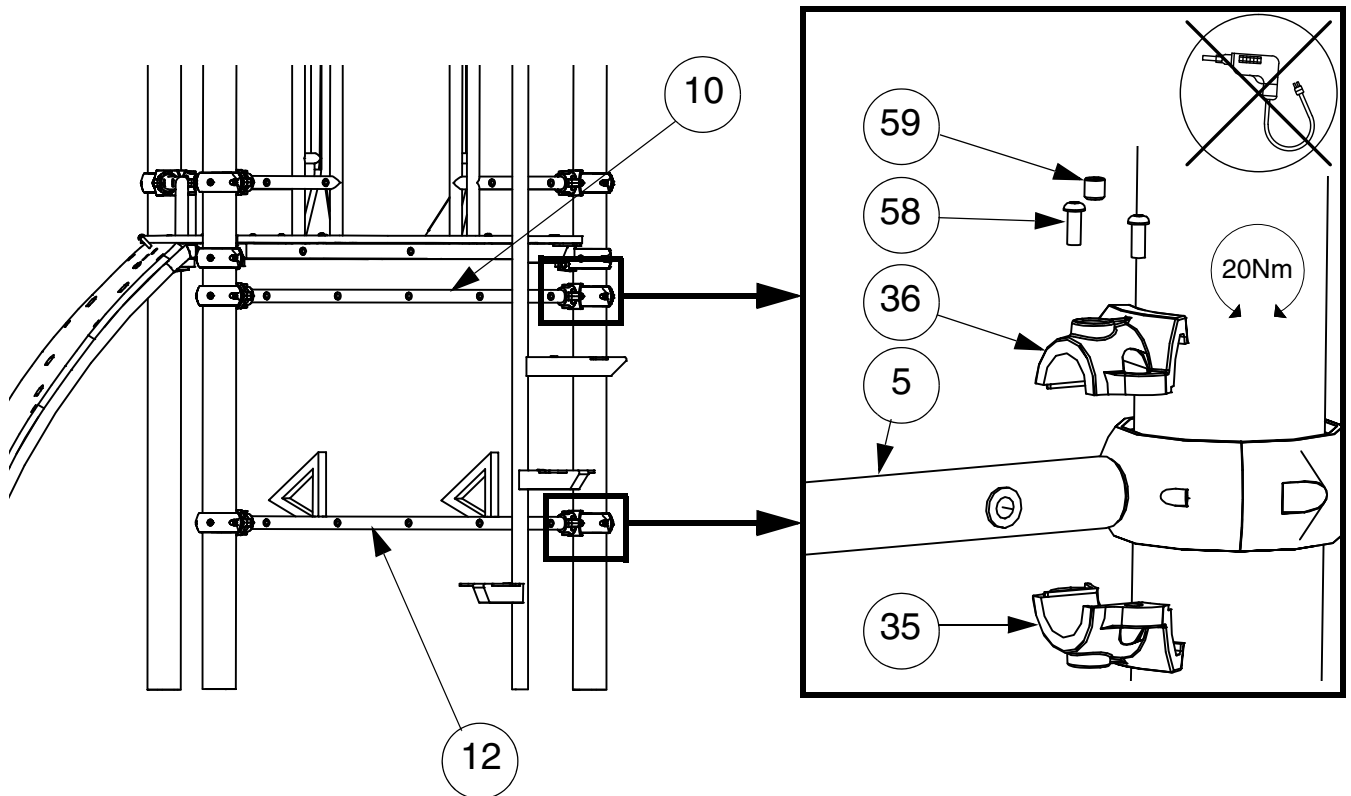

S2 (50mm)
≥C20-25
🕒 7 x 24h
👁️ 101



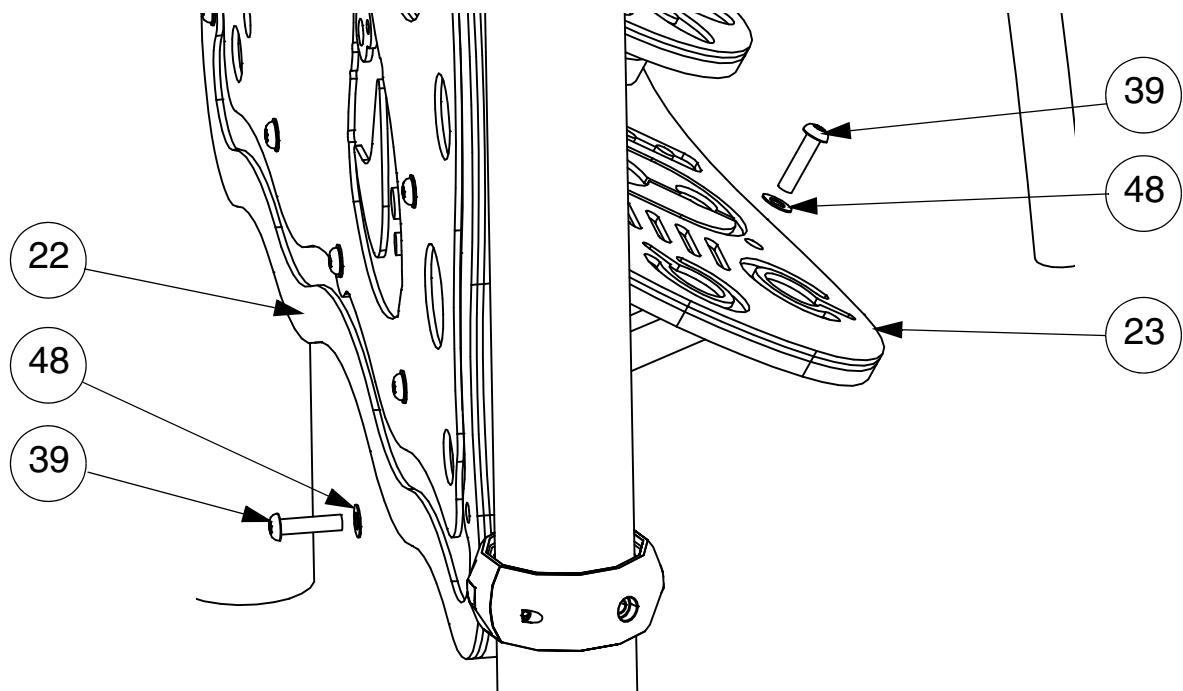
STEP 15



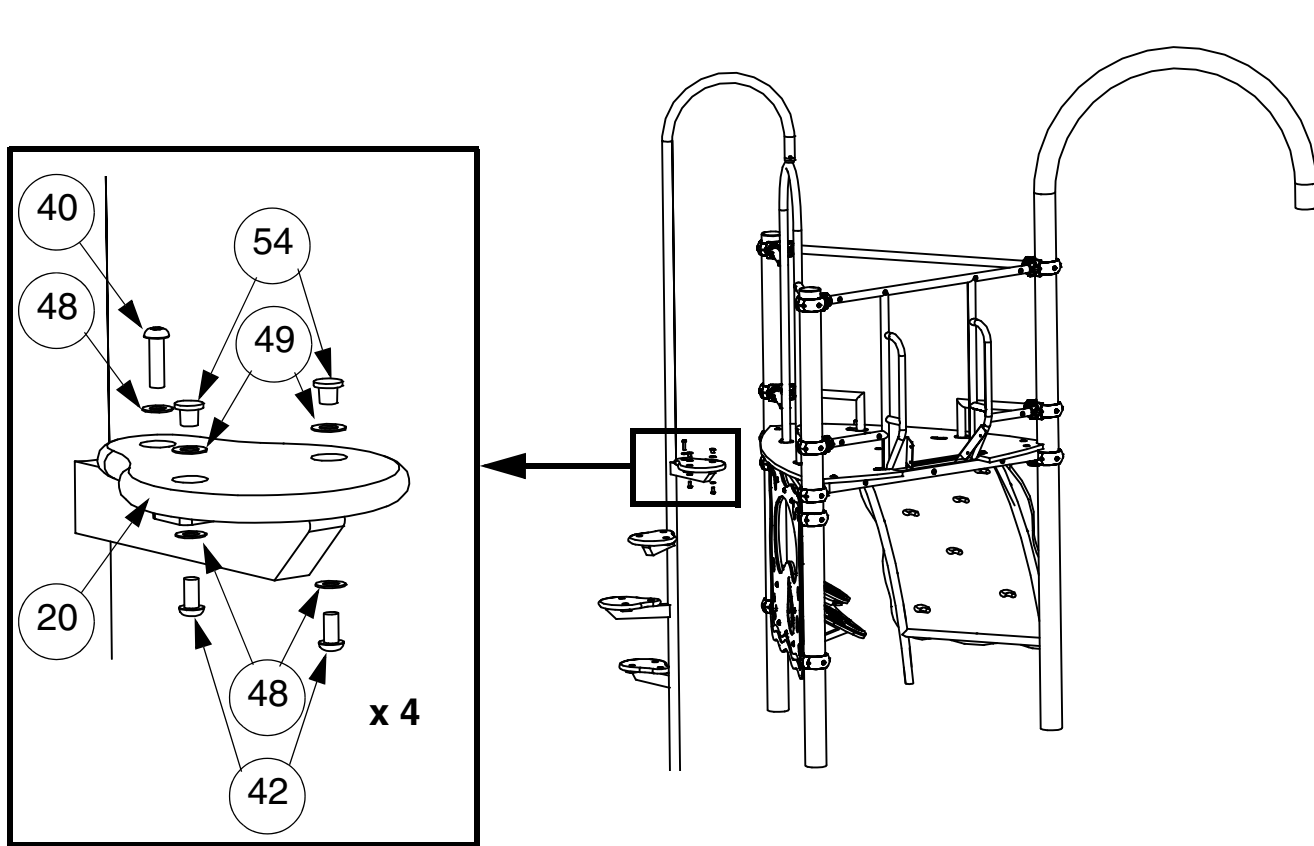
STEP 16



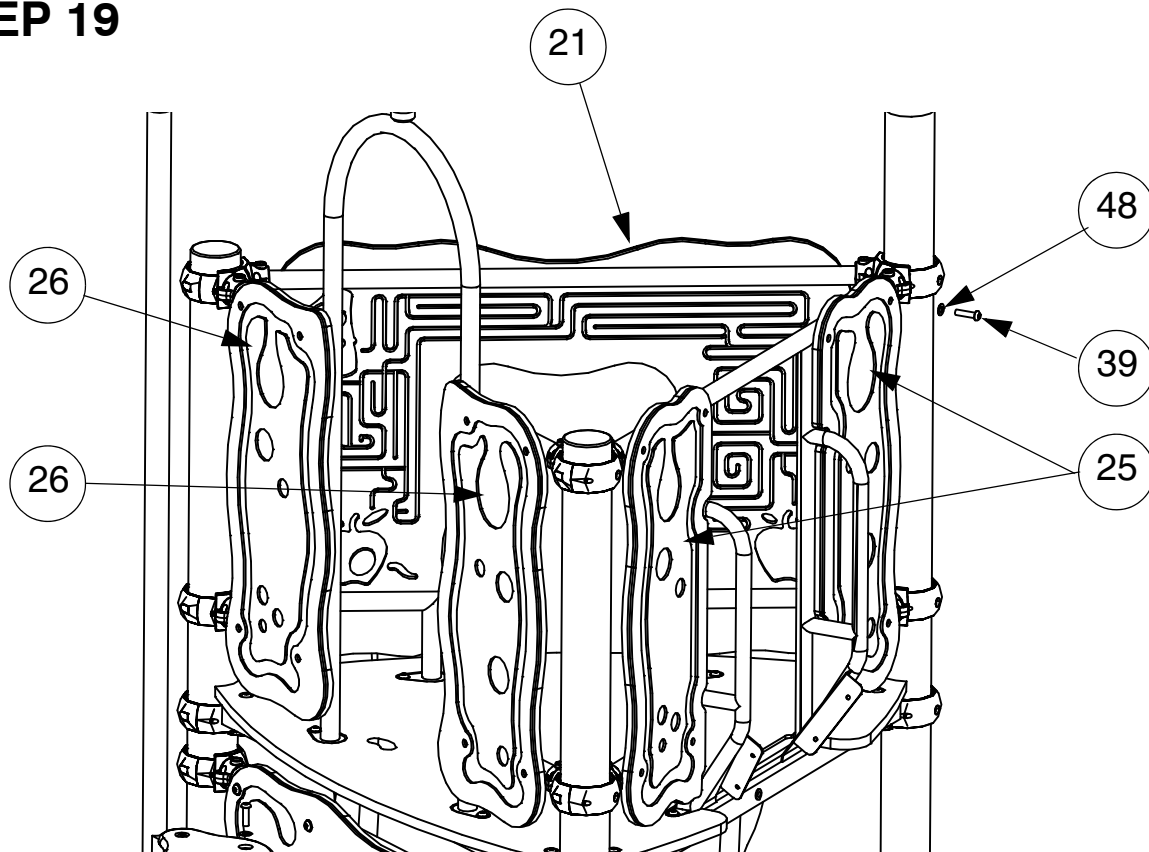
STEP 17



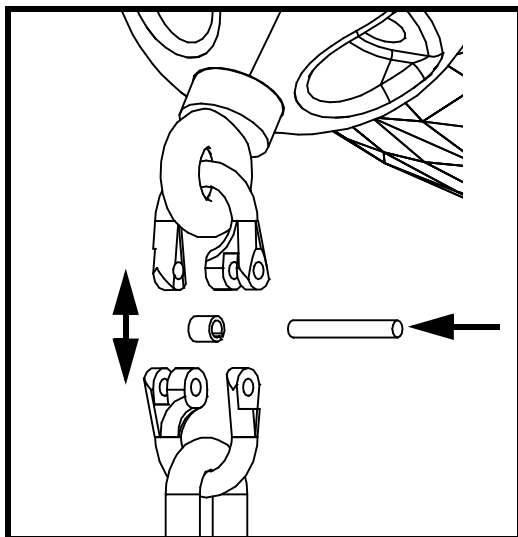
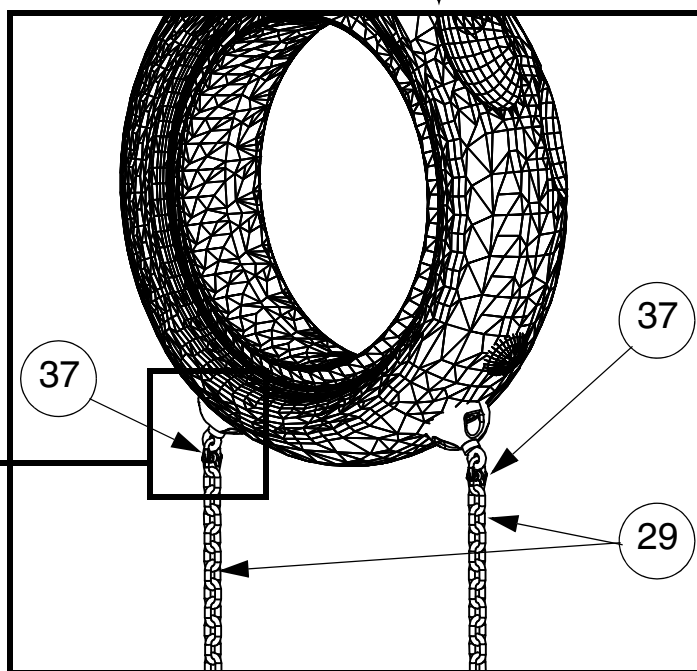
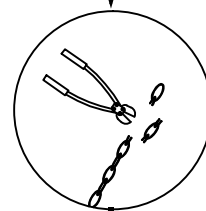
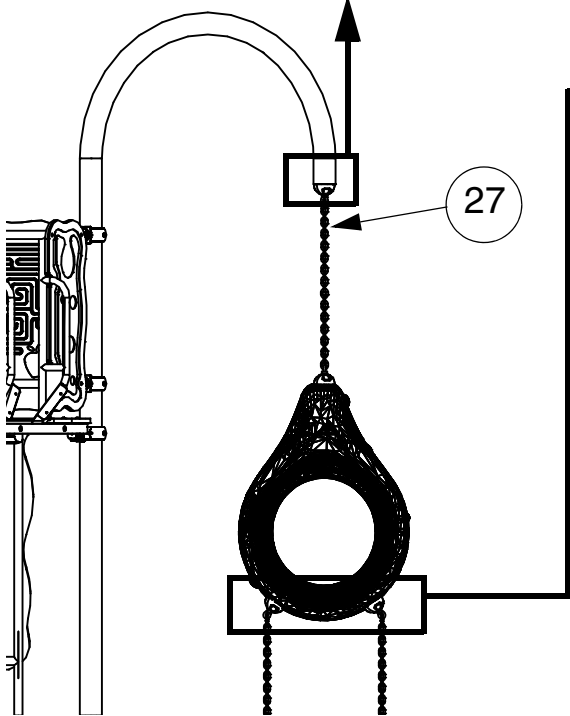
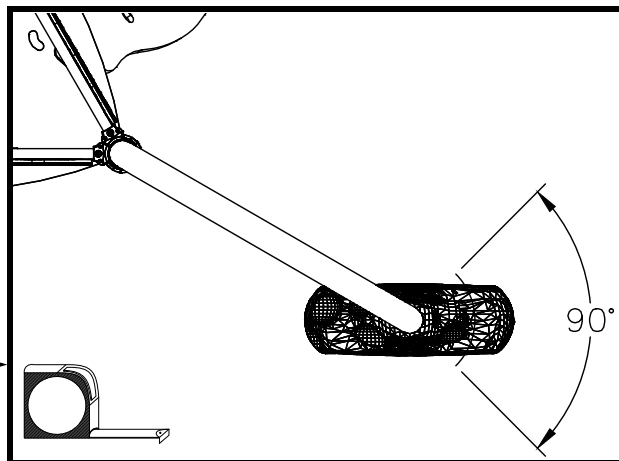
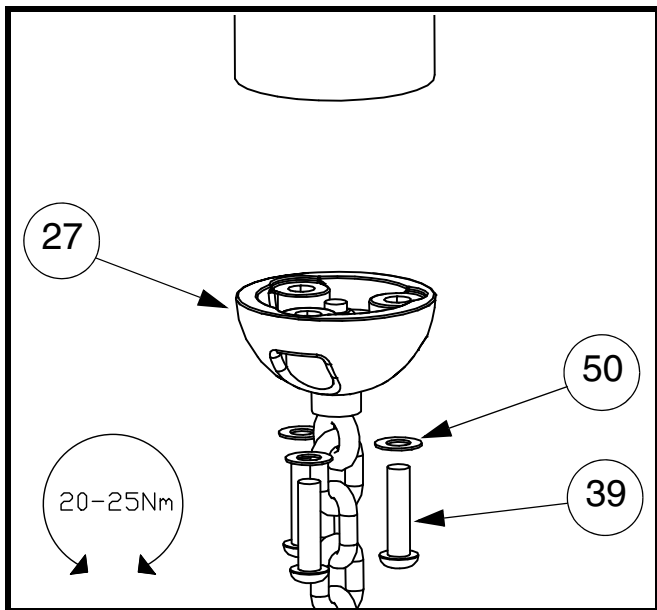
STEP 18



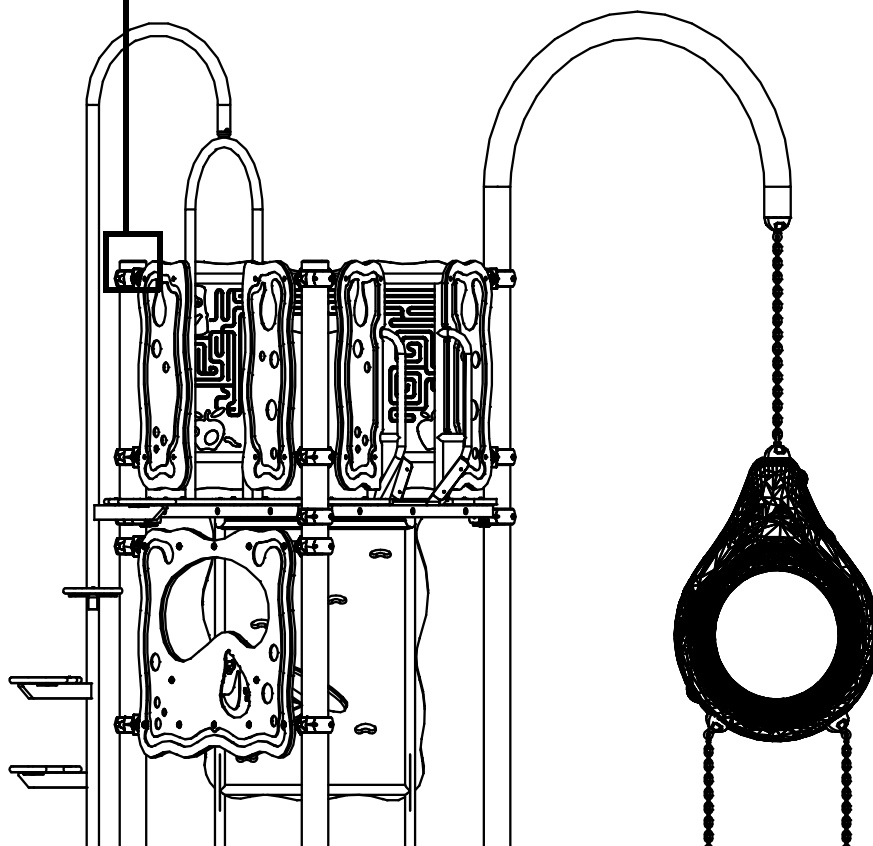
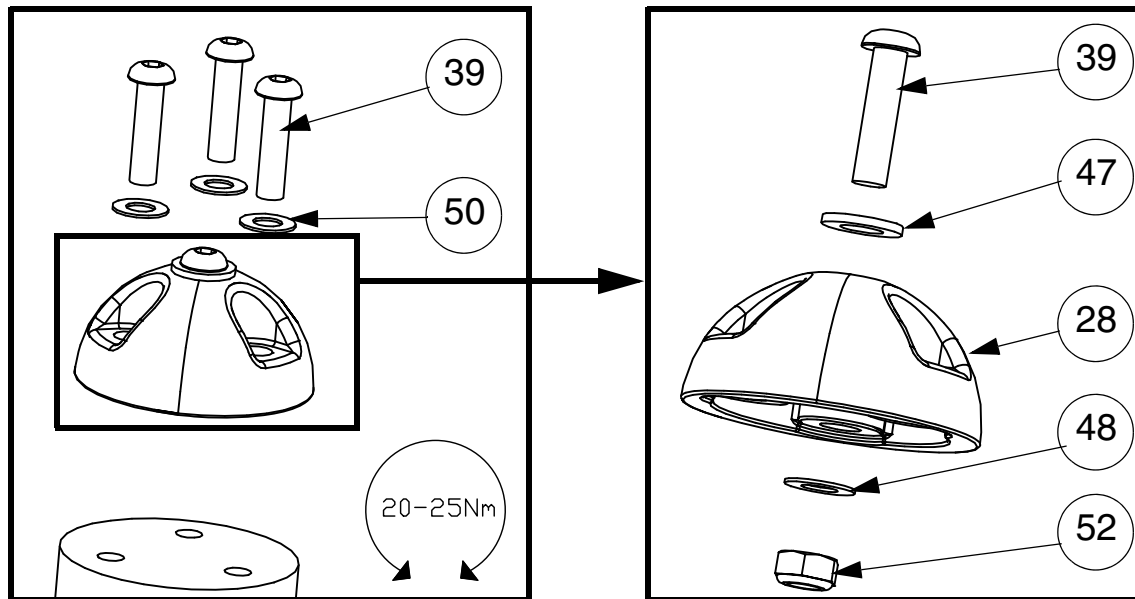
STEP 19



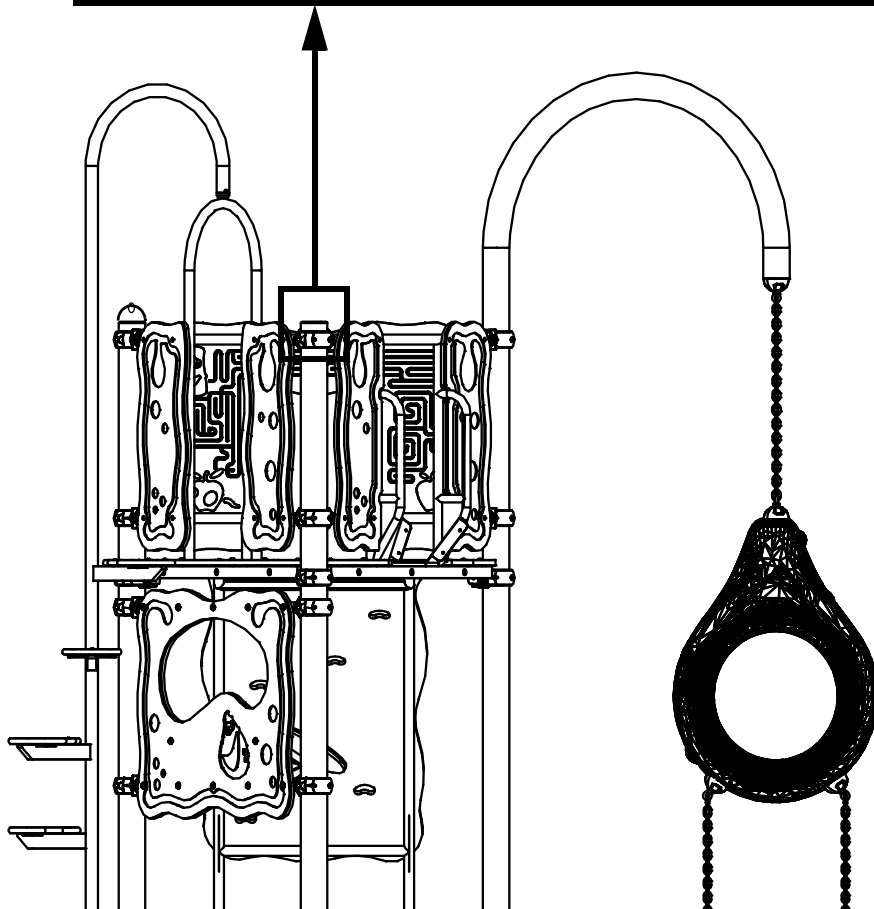
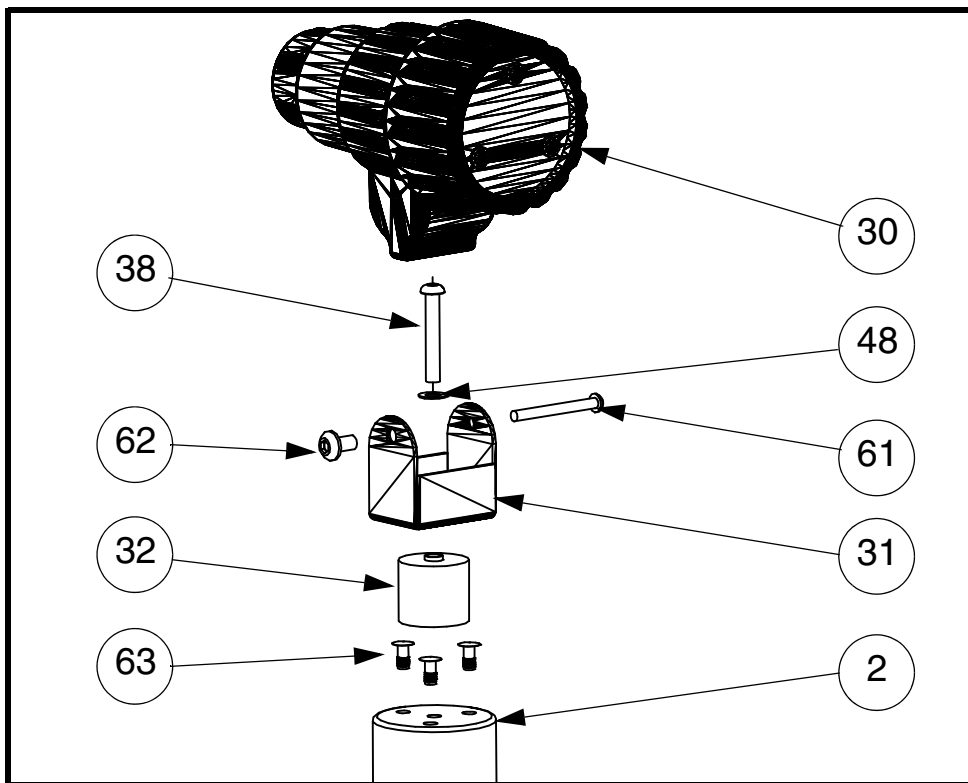
STEP 20

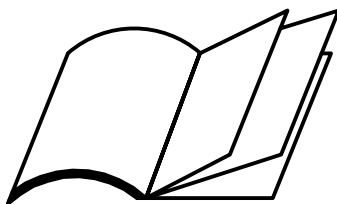


STEP 21



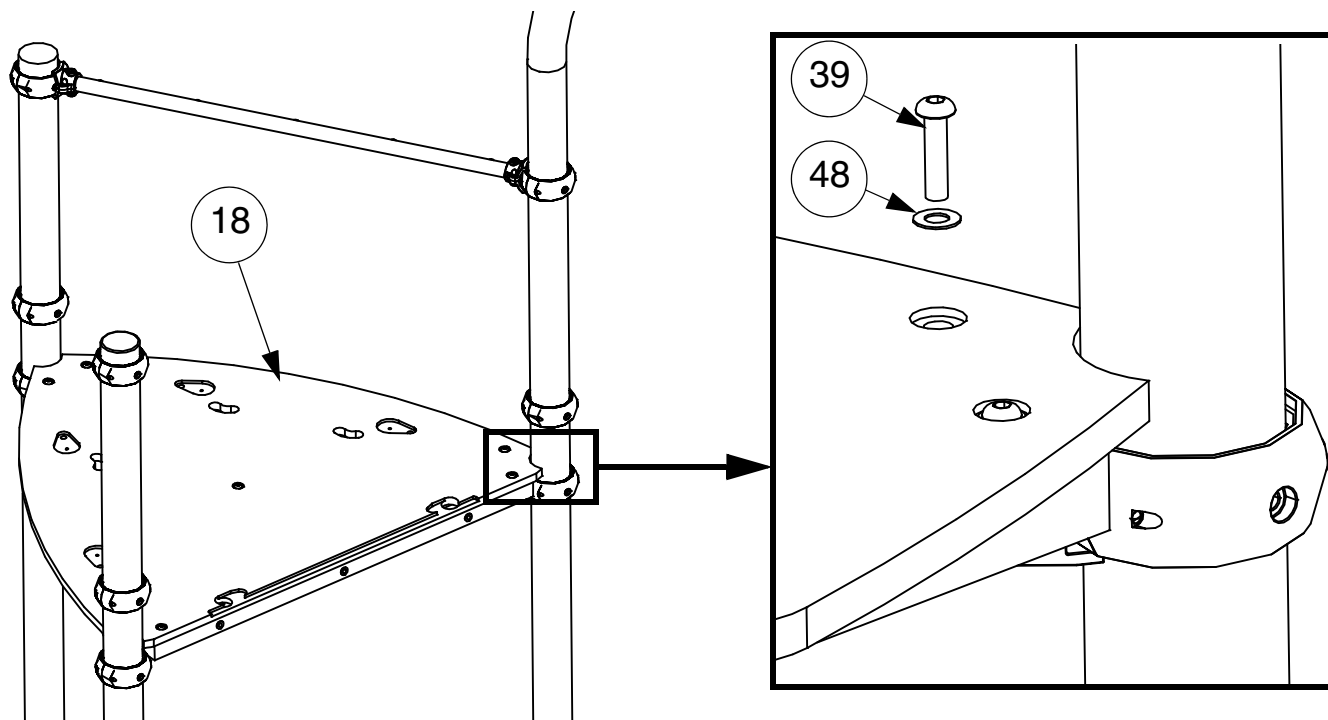
STEP 22



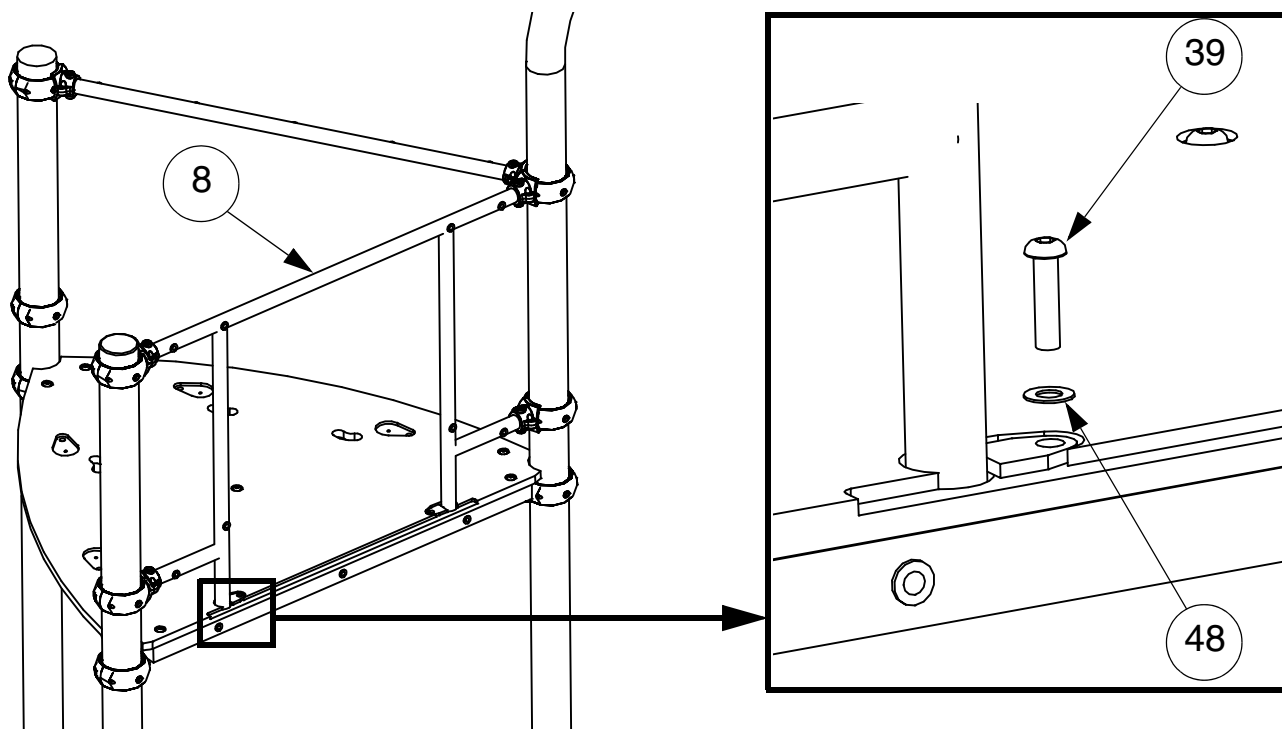


Appendix A: X-001/P

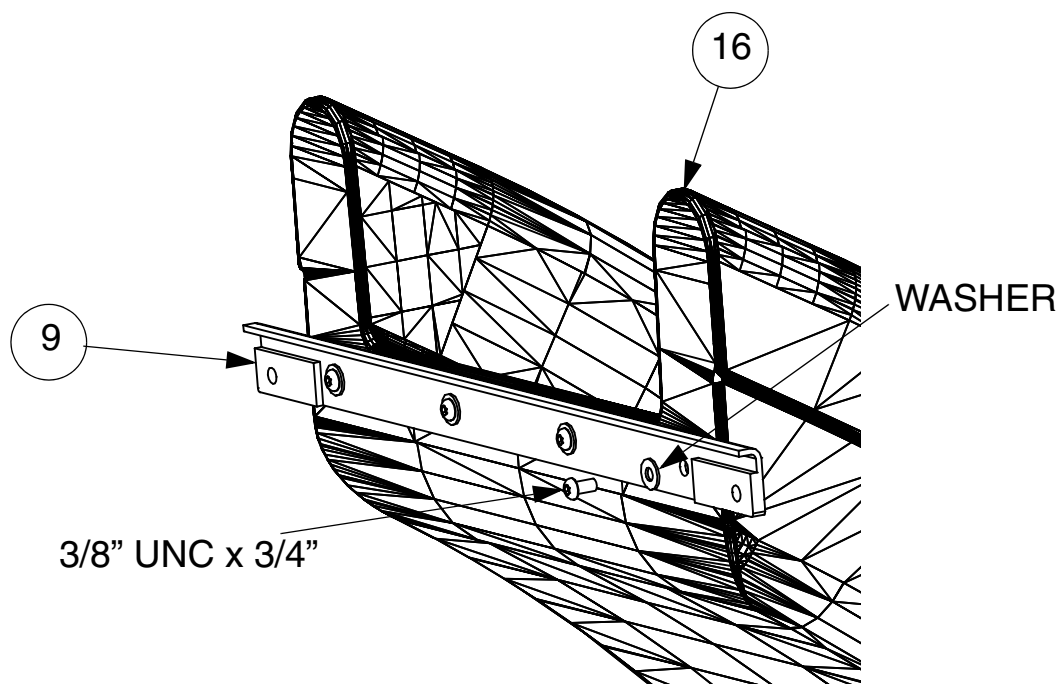
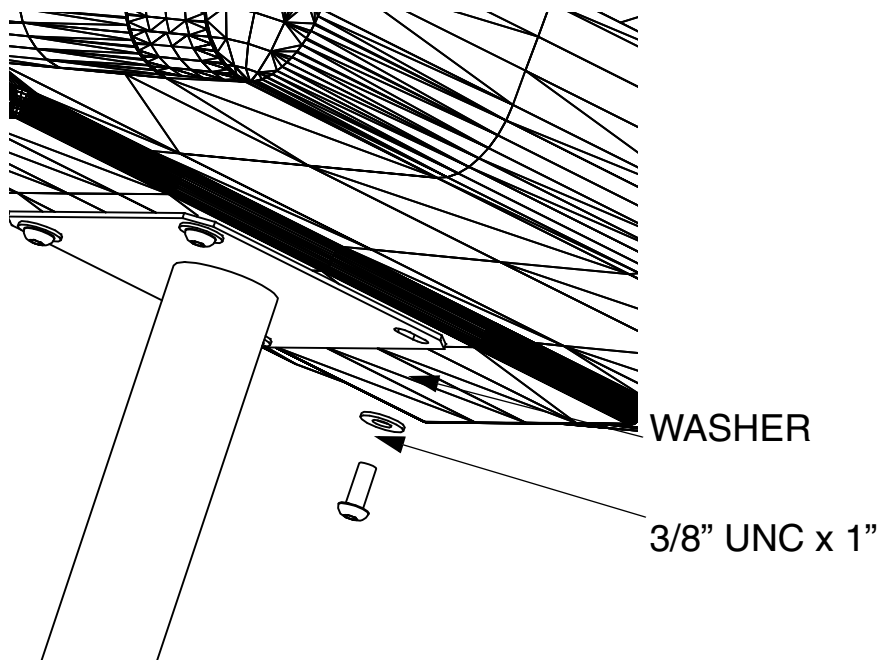
STEP 6



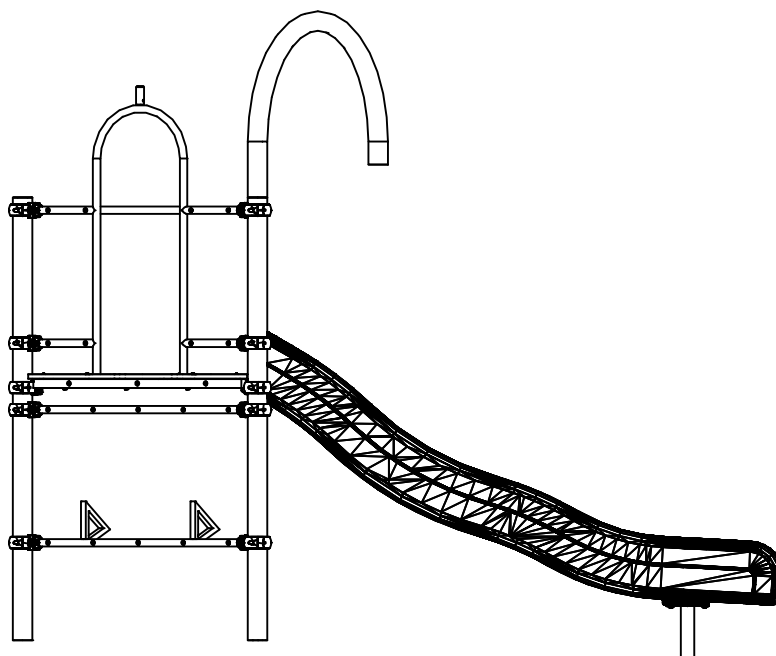
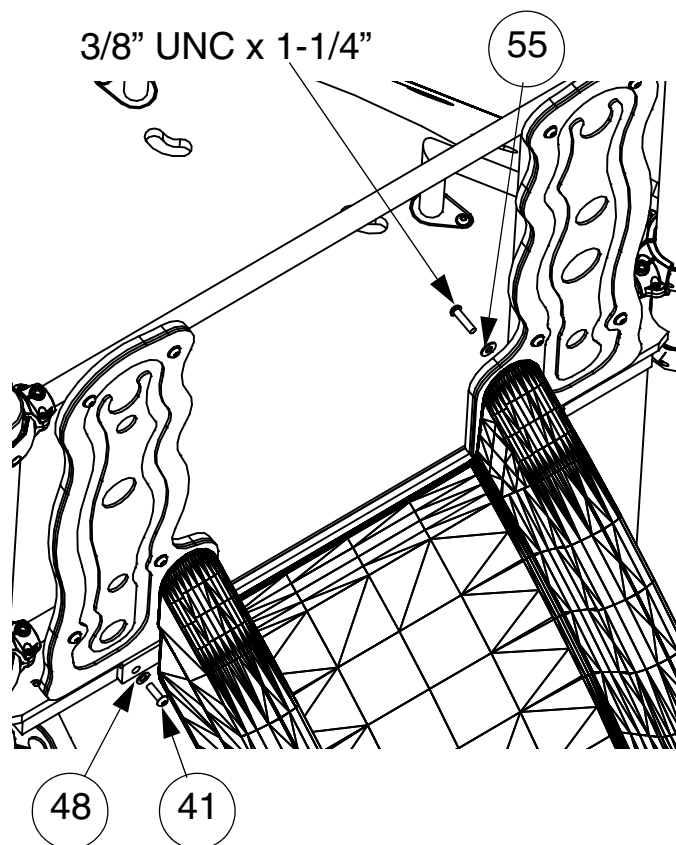
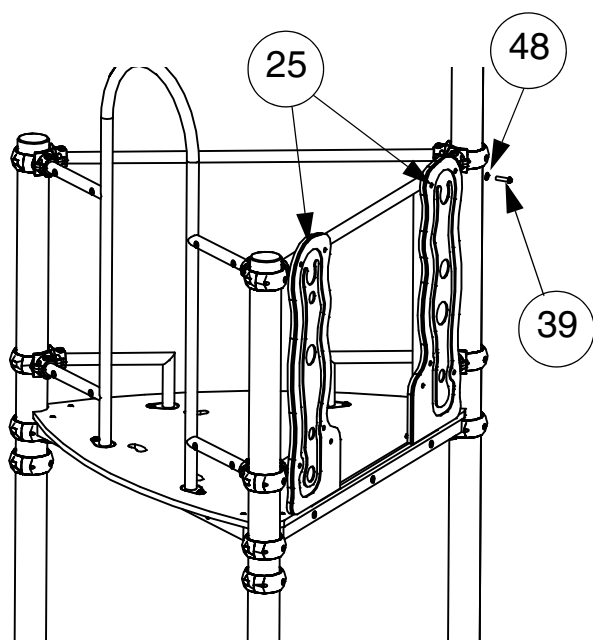
STEP 7

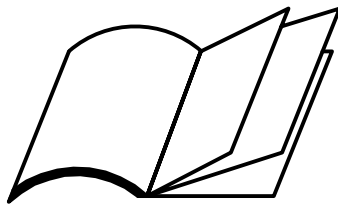


STEP 13A

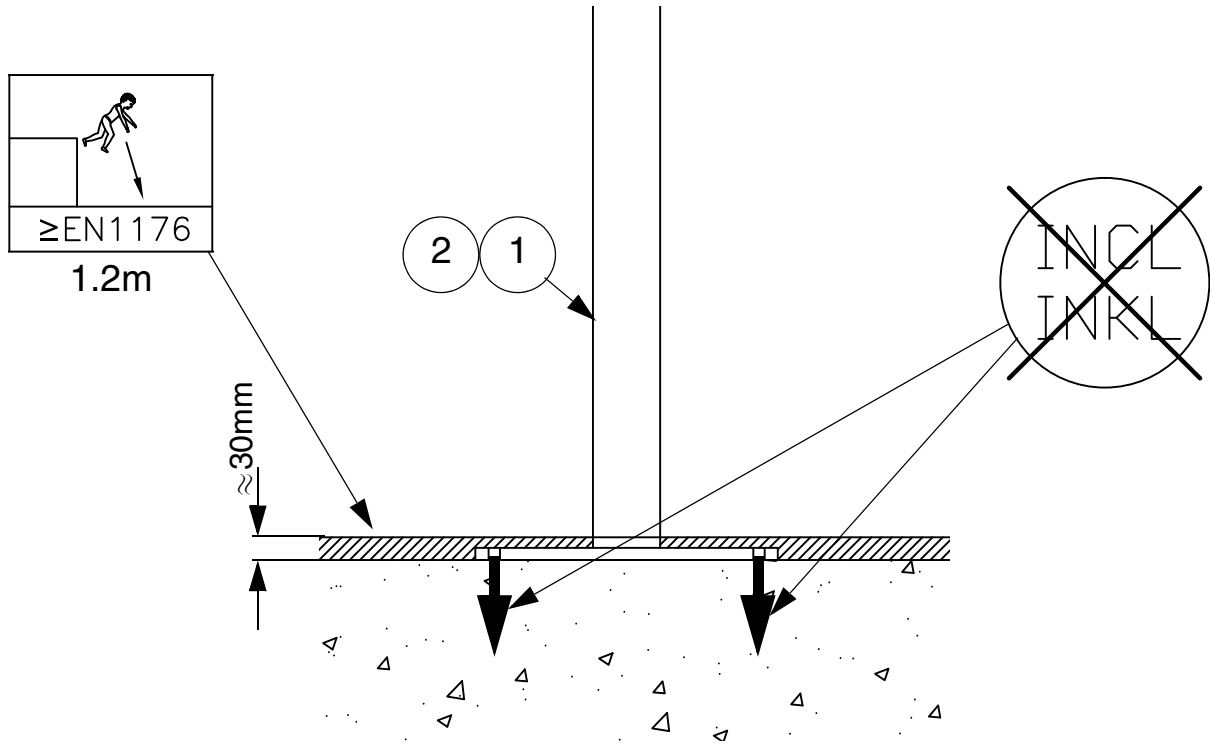


STEP 13B

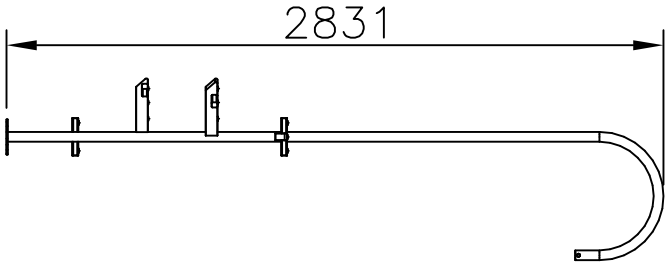
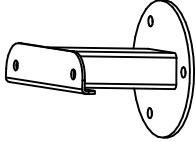

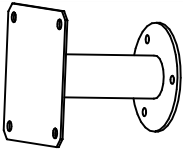

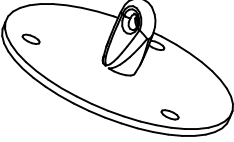
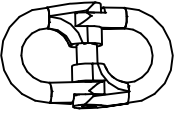




Appendix B: X-001/SD / X-001/PD



ITEM	REF.		X-001/SD	X-001/PD	kg
1	54003740			1	42.00
2	54012900			2	22.00
4	54021809			1	9.00

ITEM	REF.		X-001/SD	X-001/PD	kg
6	54021411		1		13.50
14	55081202		1		1.50
15	55081203		1		3.00
16A	55081201			1	3.00
29A	38008026		2		1.50
29B	55050011		2		1.00
37	15715000		4		0.10